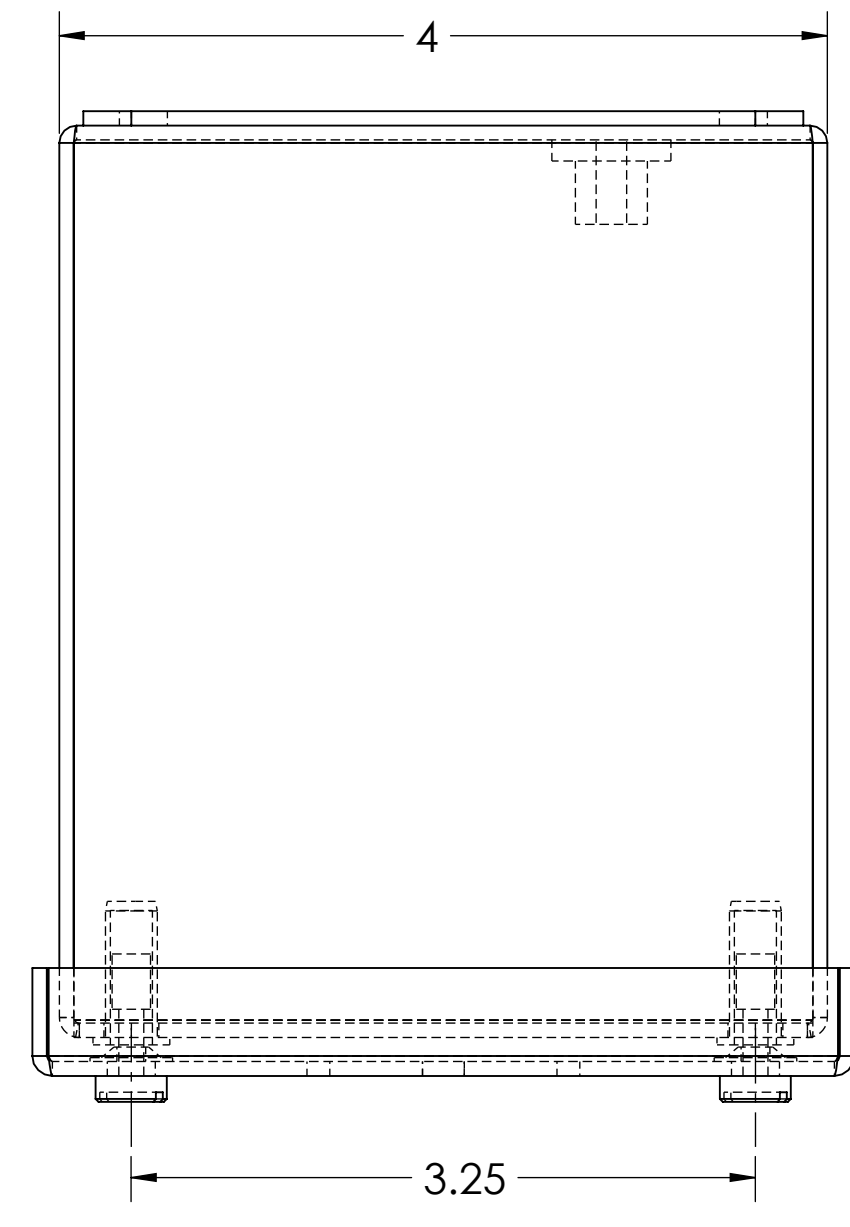


8 7 6 5 4 3 2 1

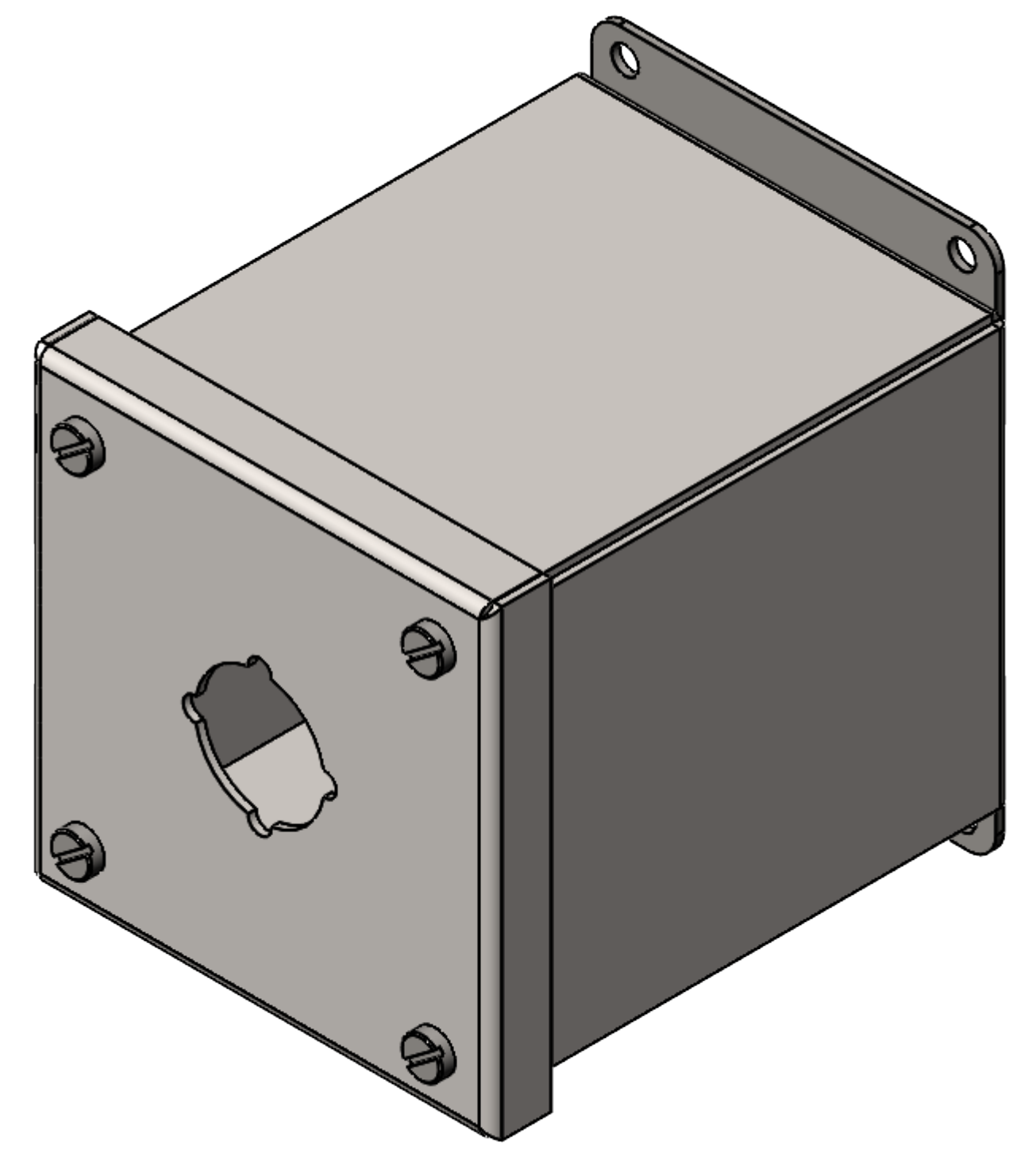
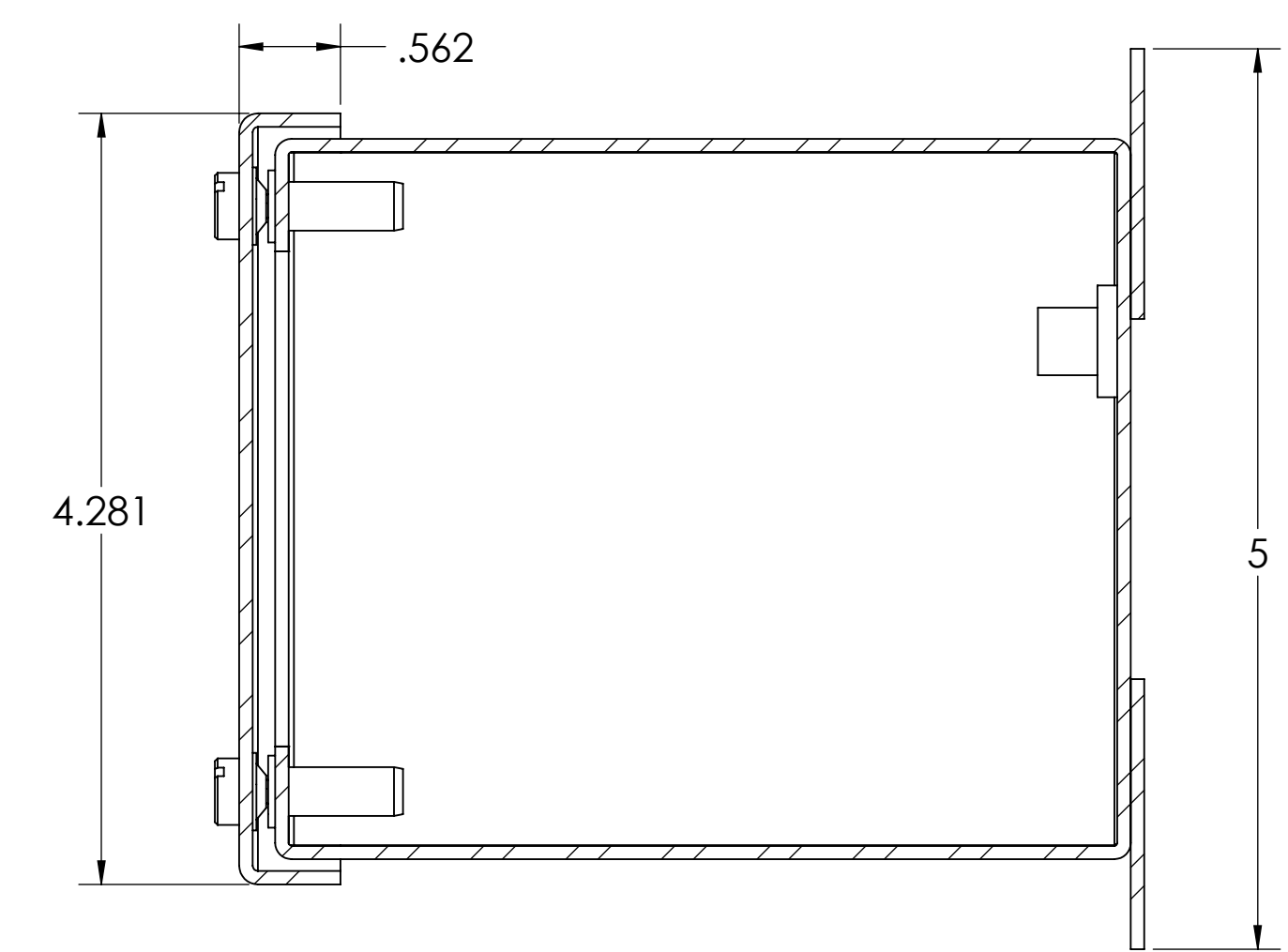
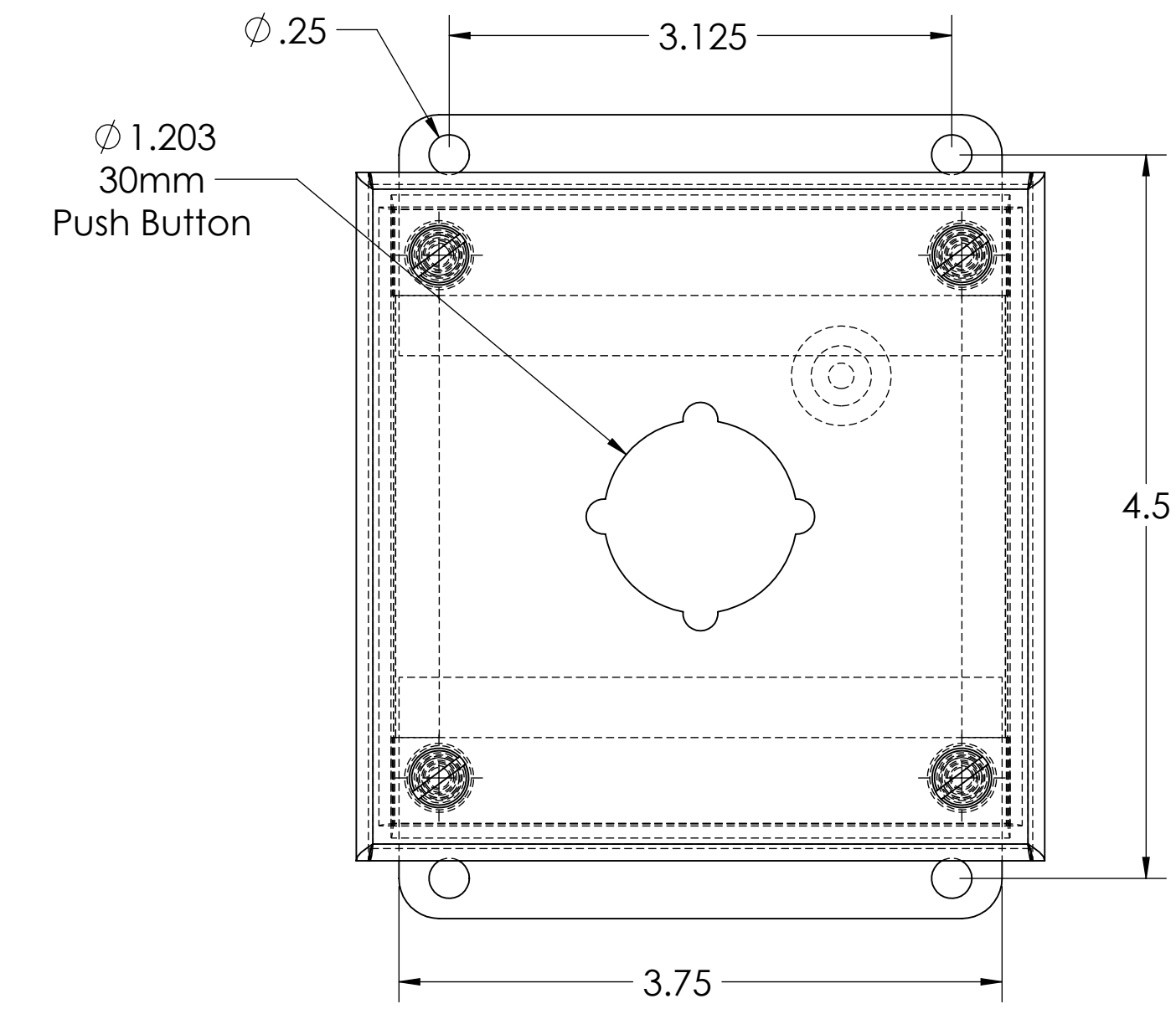
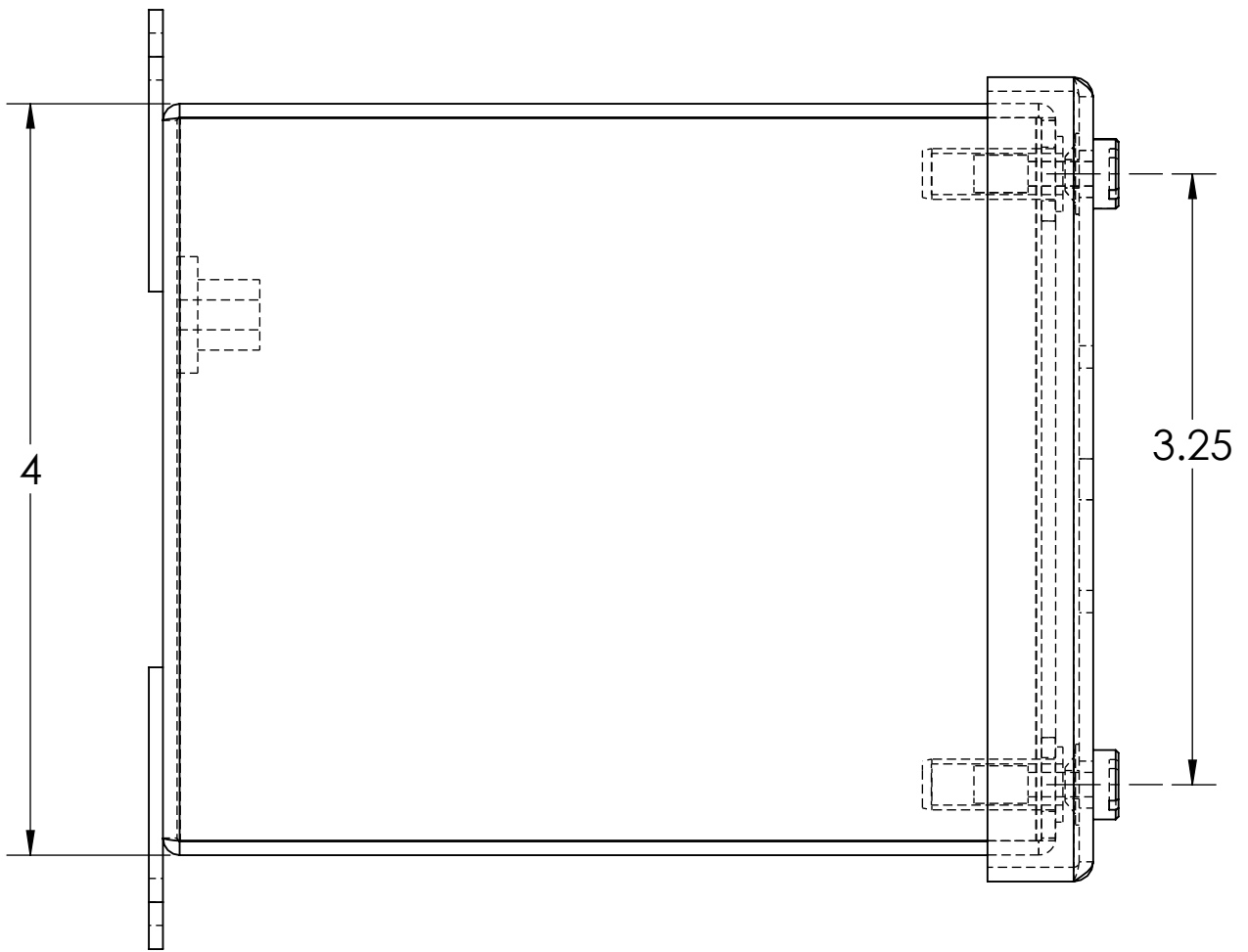
D

D



C

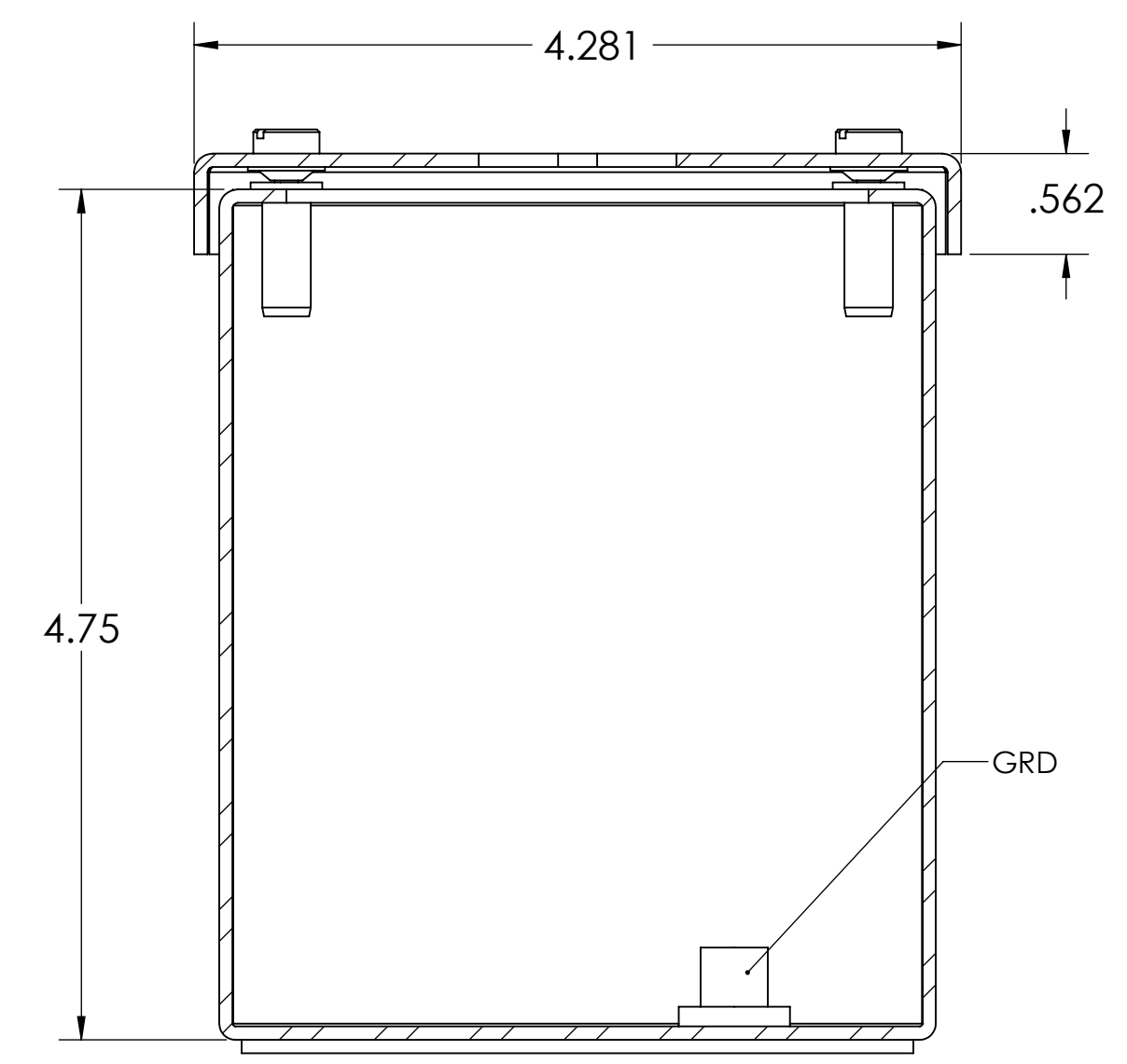
C



B

B

SECTION E-E



SECTION F-F

A

A

PROPRIETARY AND CONFIDENTIAL
 THE INFORMATION CONTAINED IN THIS DRAWING IS THE SOLE PROPERTY OF RALSTON METAL PRODUCTS. ANY REPRODUCTION IN PART OR AS A WHOLE WITHOUT THE WRITTEN PERMISSION OF RALSTON METAL PRODUCTS IS PROHIBITED.

UNLESS OTHERWISE SPECIFIED:
 DIMENSIONS ARE IN INCHES
 TOLERANCES:
 FRACTIONAL ±
 ANGULAR: MACH ± BEND ±
 TWO PLACE DECIMAL ±
 THREE PLACE DECIMAL ±

DRAWN BY		NAME	DATE		50 Watson Road, Guelph, Ontario N1L 1E2 Phone: (519) 836-2968 Toll Free: 1-800-265-7611 Fax: (519) 836-9763 www.ralstonmetal.com	
ISSUED BY		CUSTOMER:				
JOB ORDER NO:		CUSTOMER DRAWING NO:		DWG. NO.		
MATERIAL		FINISH		SIZE	TITLE:	REV
DO NOT SCALE DRAWING		THIRD ANGLE PROJECTION		D	PB37-1-30	
				SCALE: 1:1	WEIGHT: 2.78	SHEET 1 OF 1

8 7 6 5 4 3 2 1