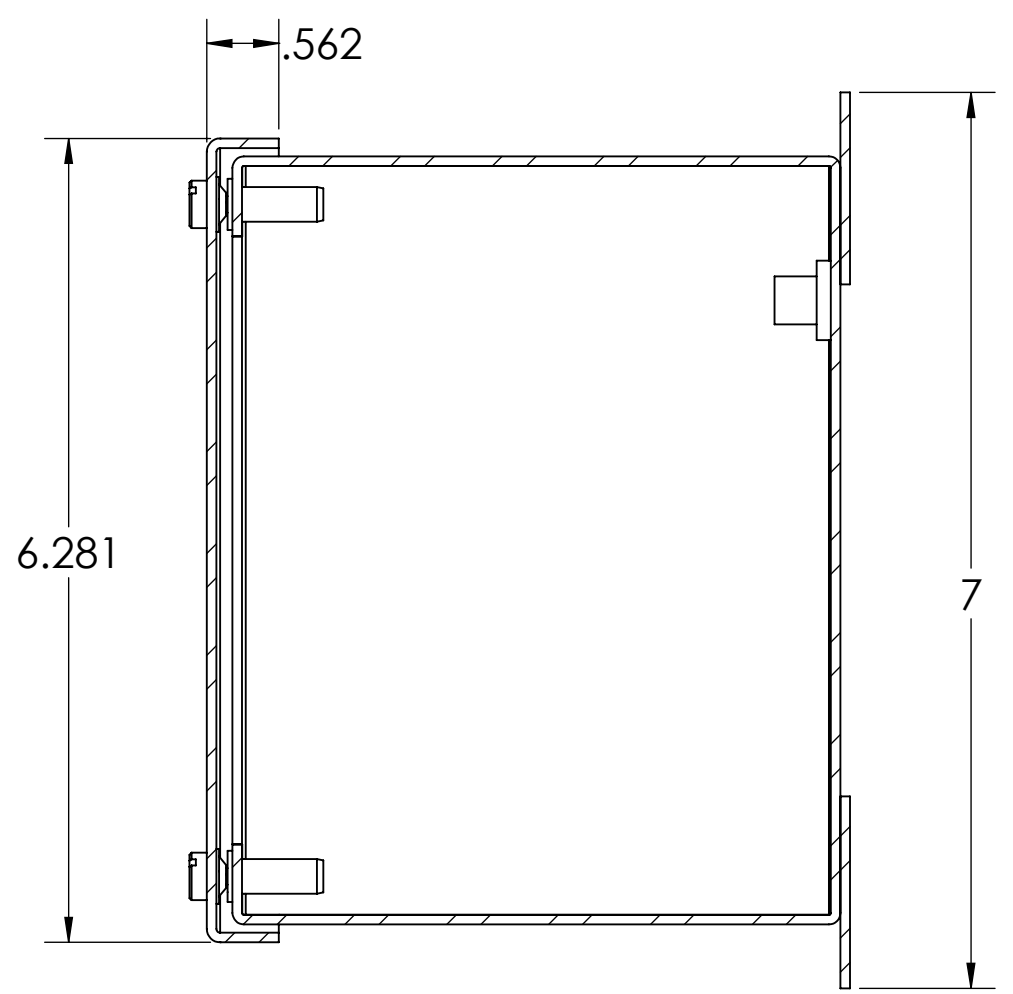
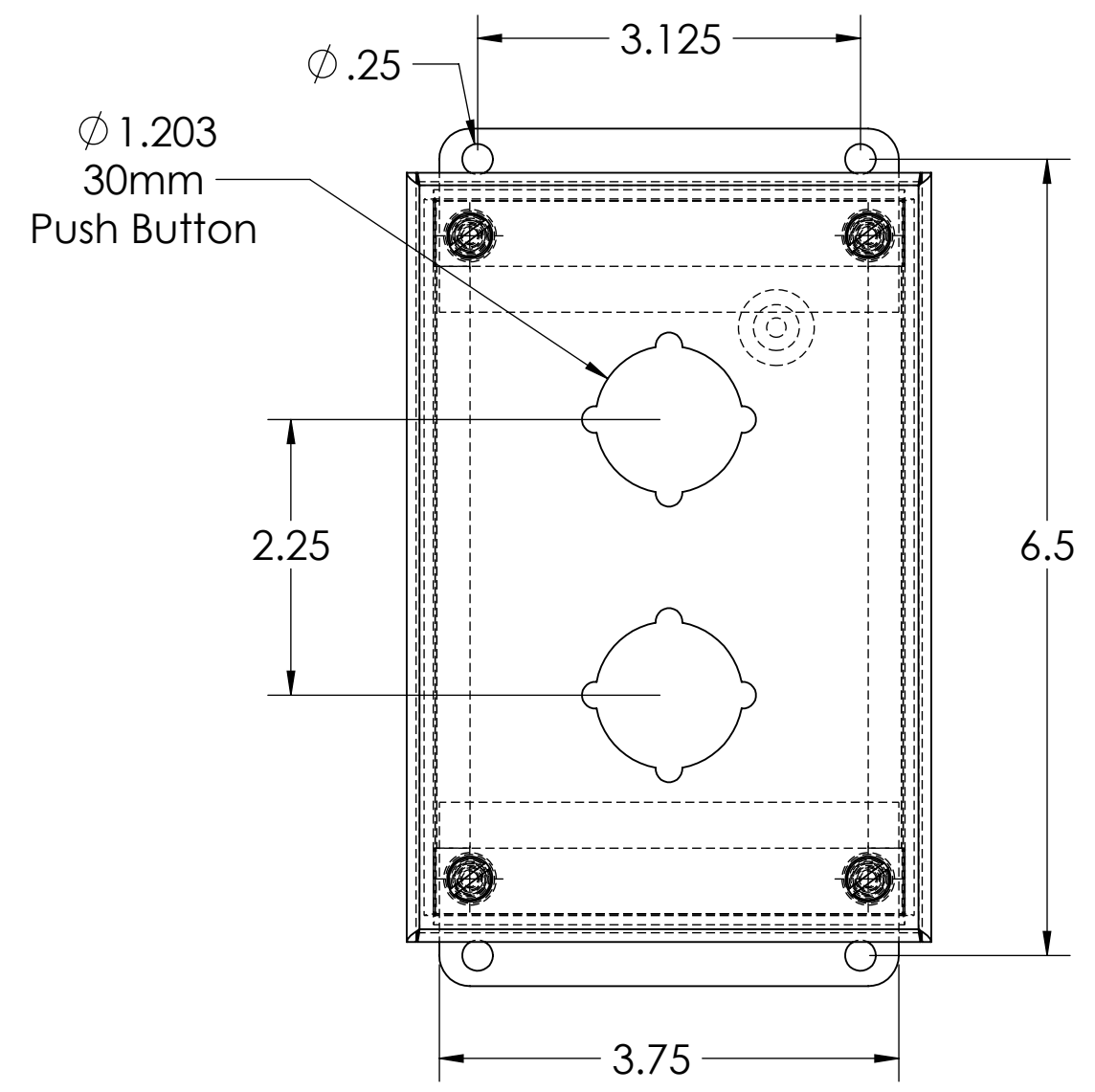
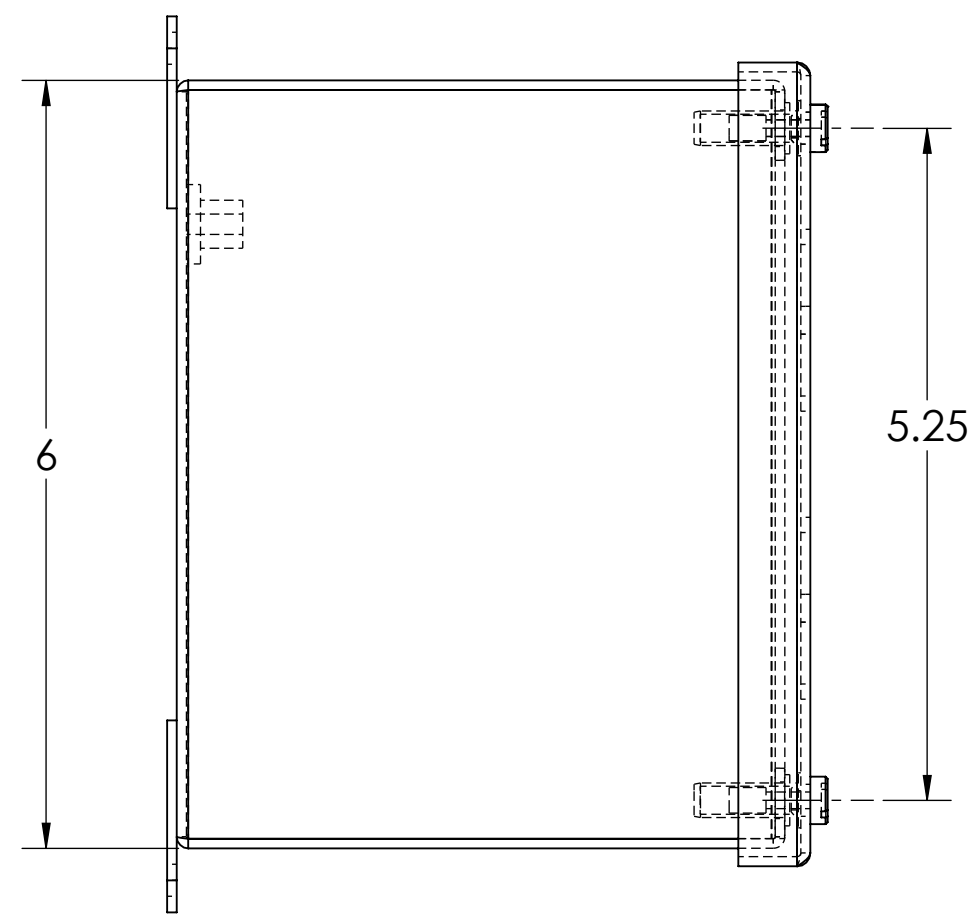
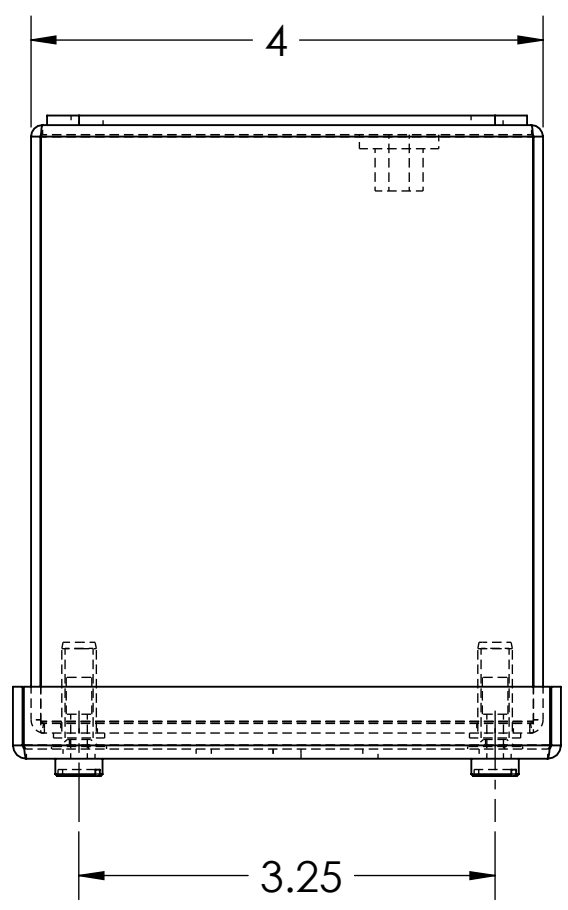


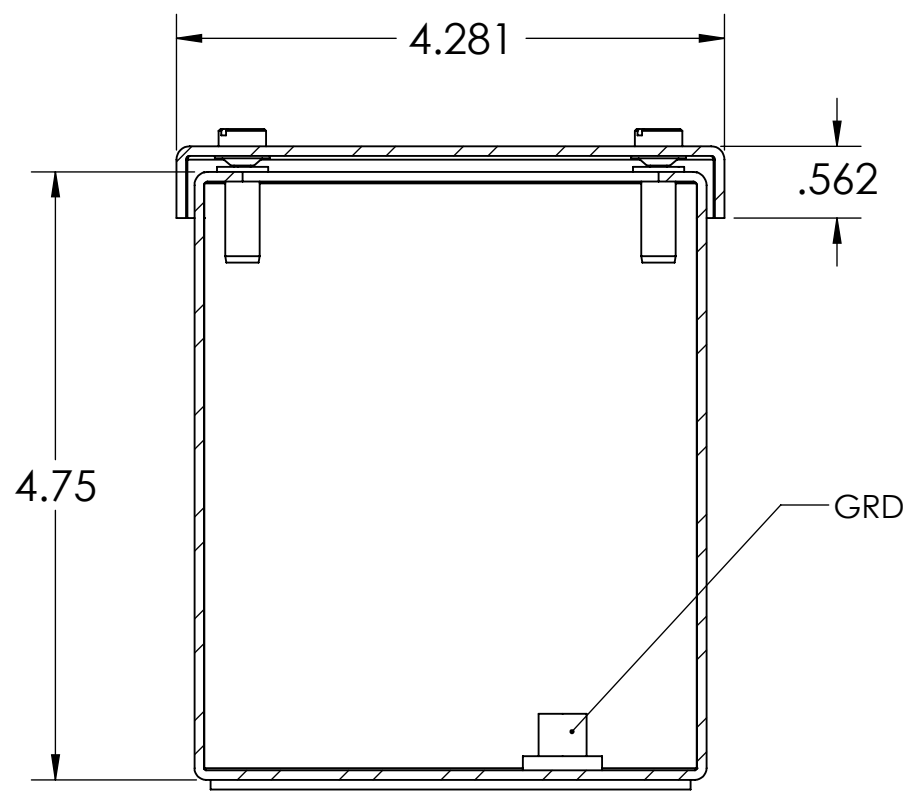
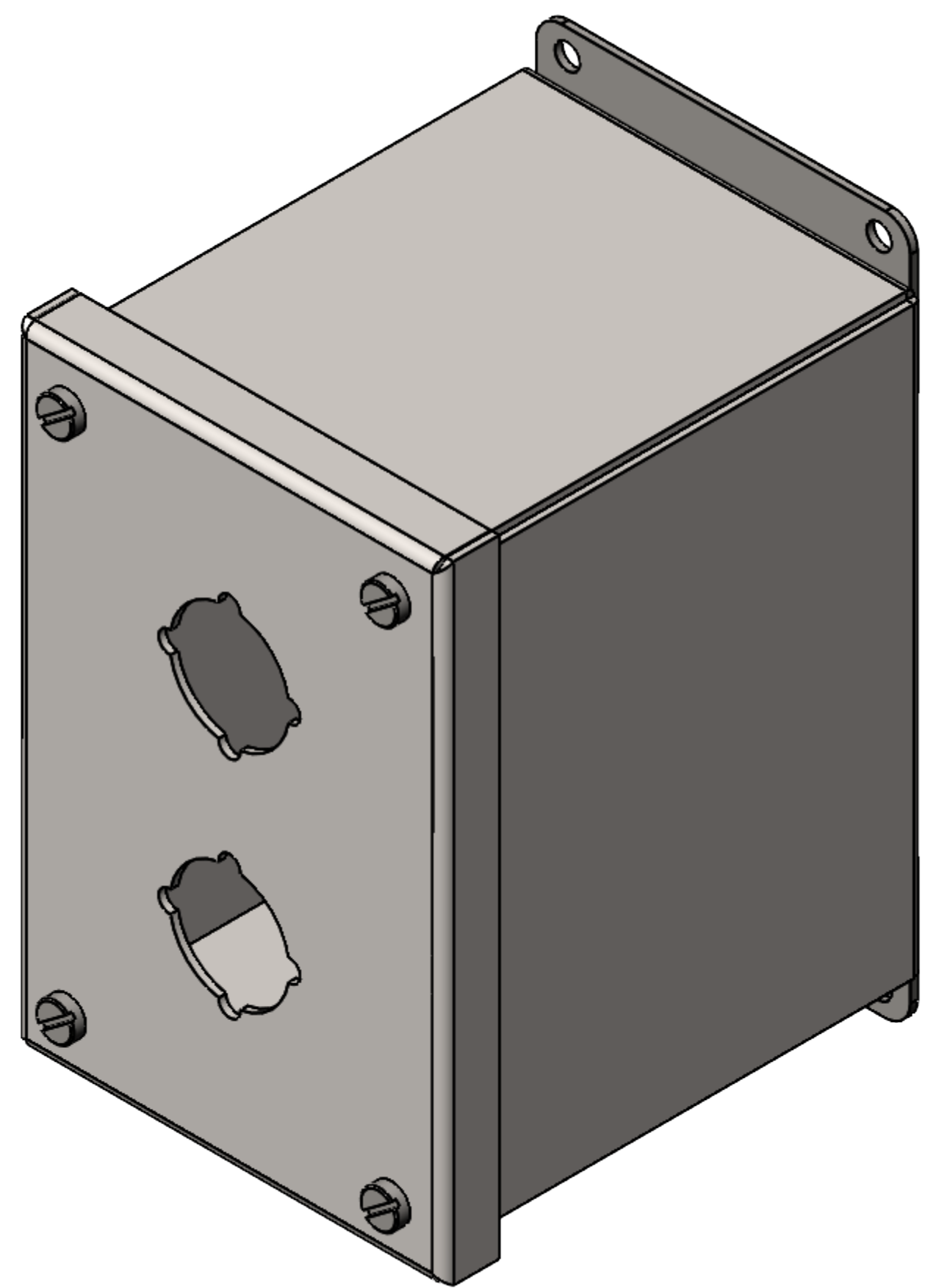
8 7 6 5 4 3 2 1

D  
C  
B  
A

D  
C  
B  
A



SECTION E-E  
SCALE 1 : 1.5



SECTION F-F  
SCALE 1 : 1.5

**PROPRIETARY AND CONFIDENTIAL**  
THE INFORMATION CONTAINED IN THIS DRAWING IS THE SOLE PROPERTY OF RALSTON METAL PRODUCTS. ANY REPRODUCTION IN PART OR AS A WHOLE WITHOUT THE WRITTEN PERMISSION OF RALSTON METAL PRODUCTS IS PROHIBITED.

UNLESS OTHERWISE SPECIFIED:  
DIMENSIONS ARE IN INCHES  
TOLERANCES:  
FRACTIONAL ±  
ANGULAR: MACH ± BEND ±  
TWO PLACE DECIMAL ±  
THREE PLACE DECIMAL ±

|                      |      |
|----------------------|------|
| NAME                 | DATE |
| DRAWN BY             |      |
| ISSUED BY            |      |
| JOB ORDER NO.        |      |
| CUSTOMER DRAWING NO. |      |

|            |                  |   |  |
|------------|------------------|---|--|
|            |                  | <small>50 Watson Road, Guelph, Ontario N1L 1E2<br/>Phone: (519) 836-2968 Toll Free: 1-800-265-7611<br/>Fax: (519) 836-9763 www.ralstonmetal.com</small> |  |
|            |                  | CUSTOMER:   |  |
| DWG. NO.   |                  | REV   |  |
| SIZE       | TITLE:           | REV   |  |
| <b>D</b>   | <b>PB37-2-30</b> |   |  |
| SCALE: 1:1 | WEIGHT: 3.56     | SHEET 1 OF 1  |  |

8 7 6 5 4 3 2 1