

8

7

6

5

4

3

2

1

D

D

C

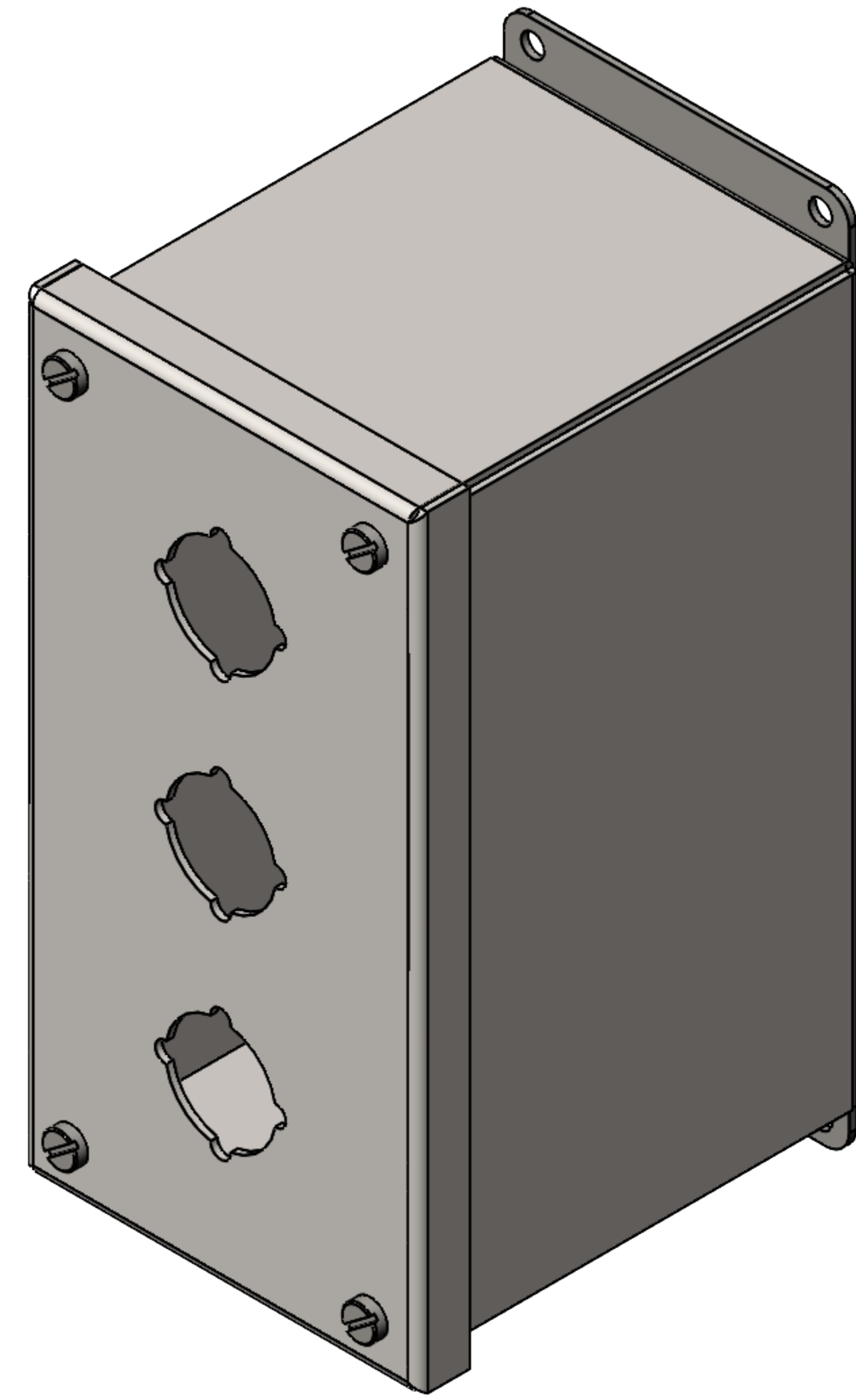
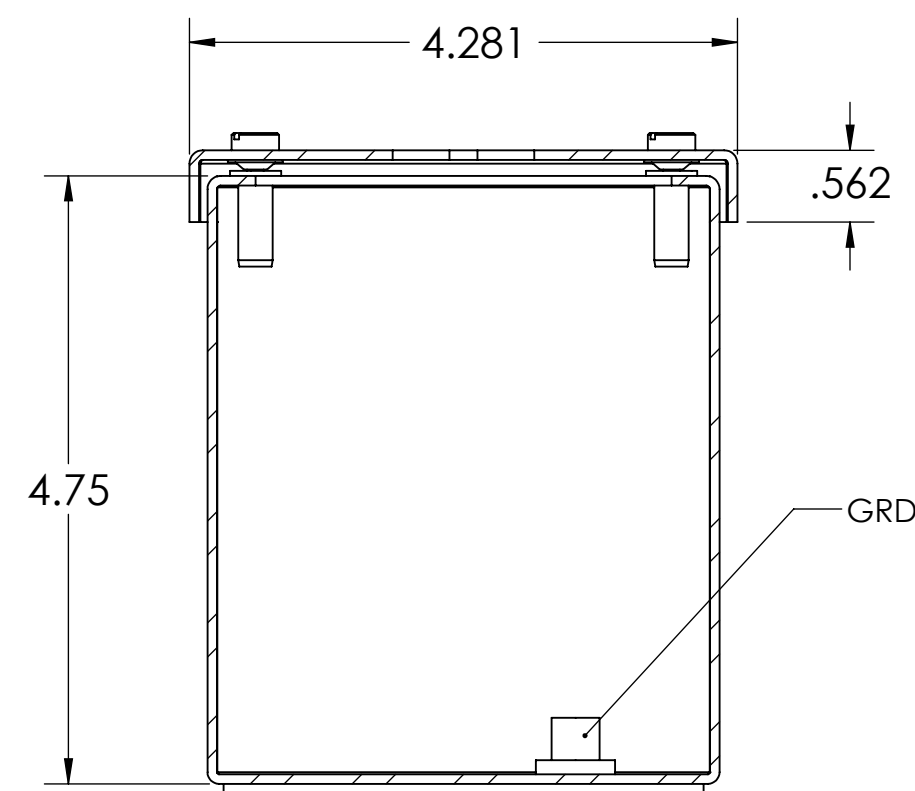
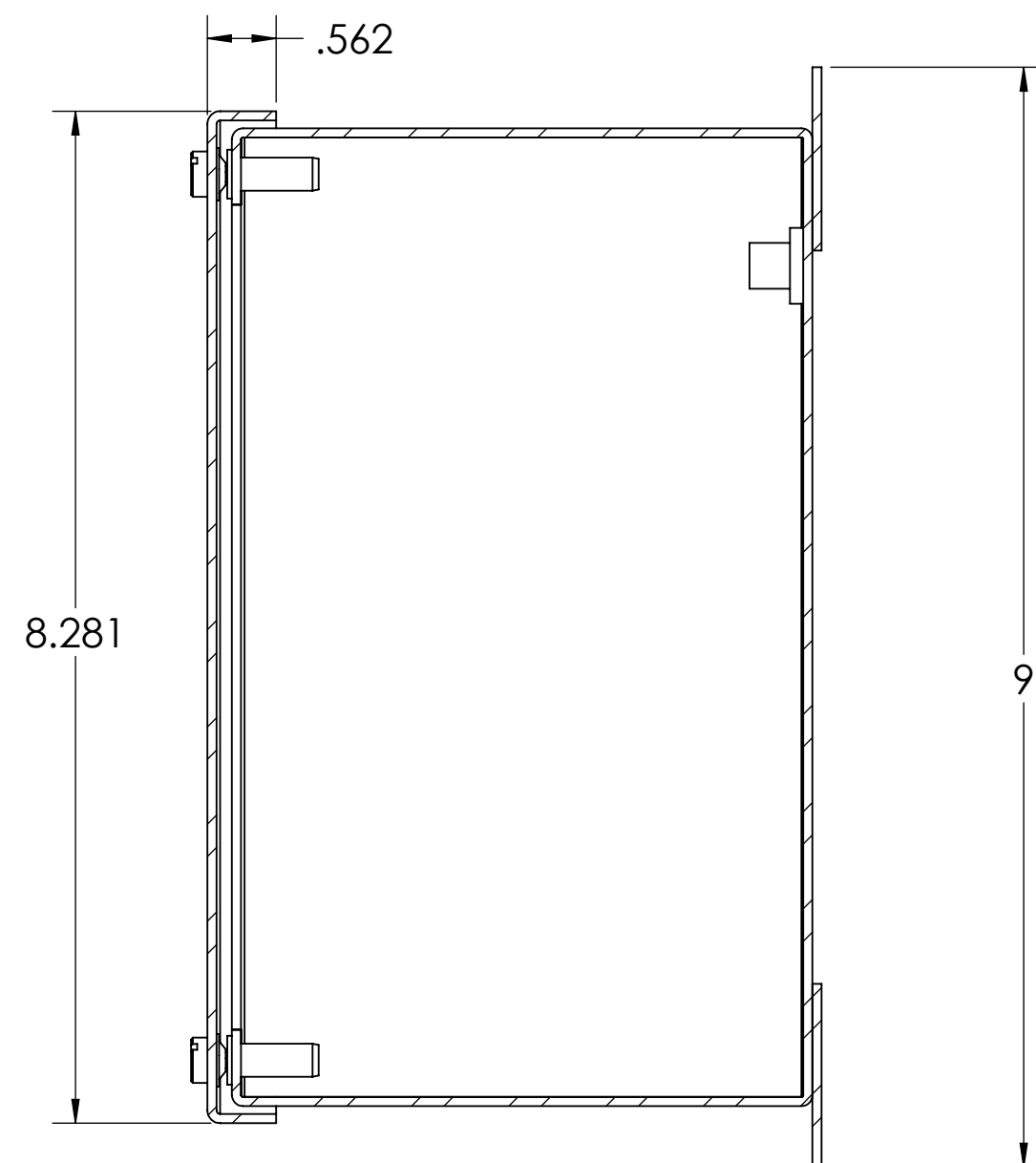
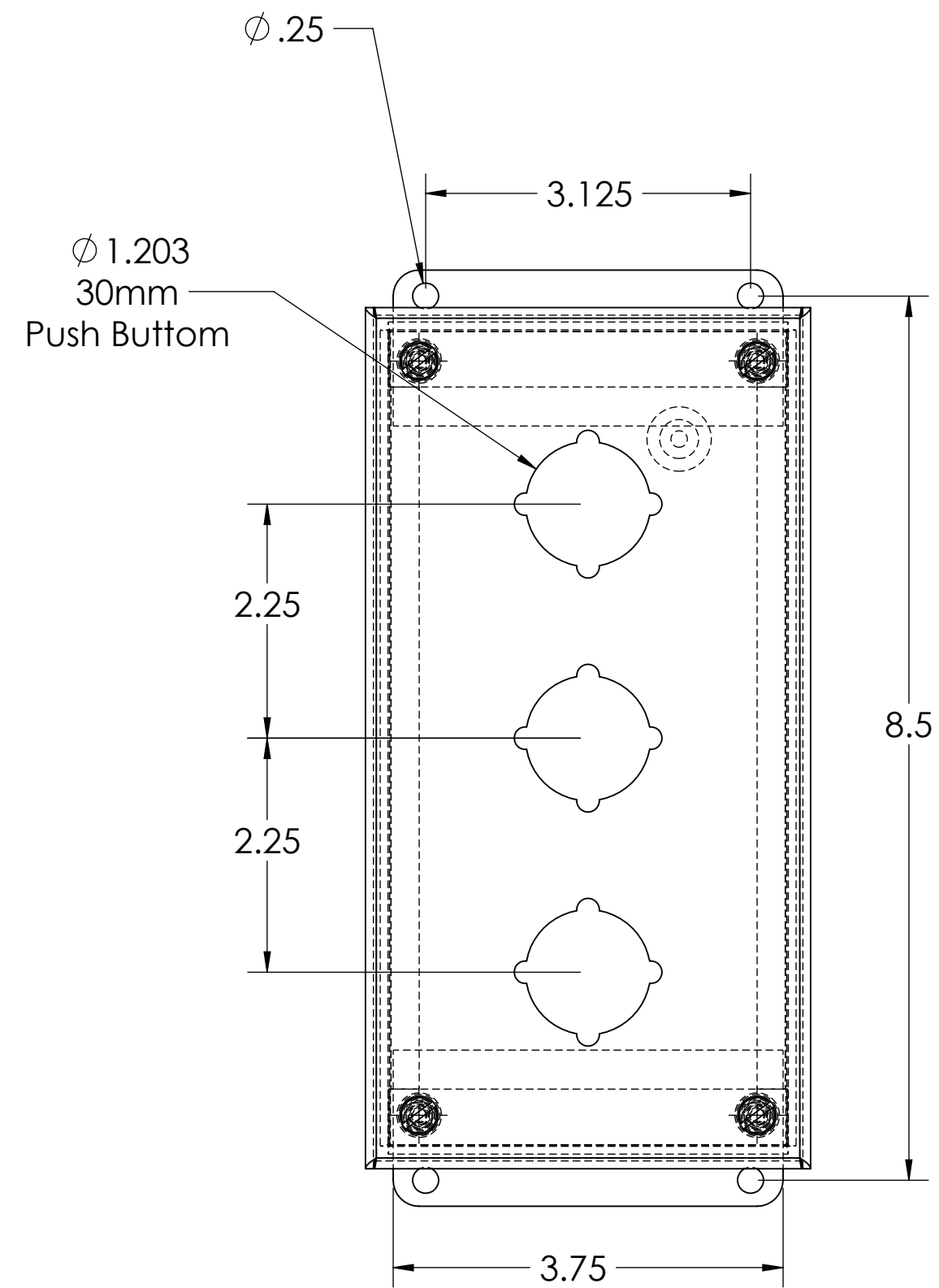
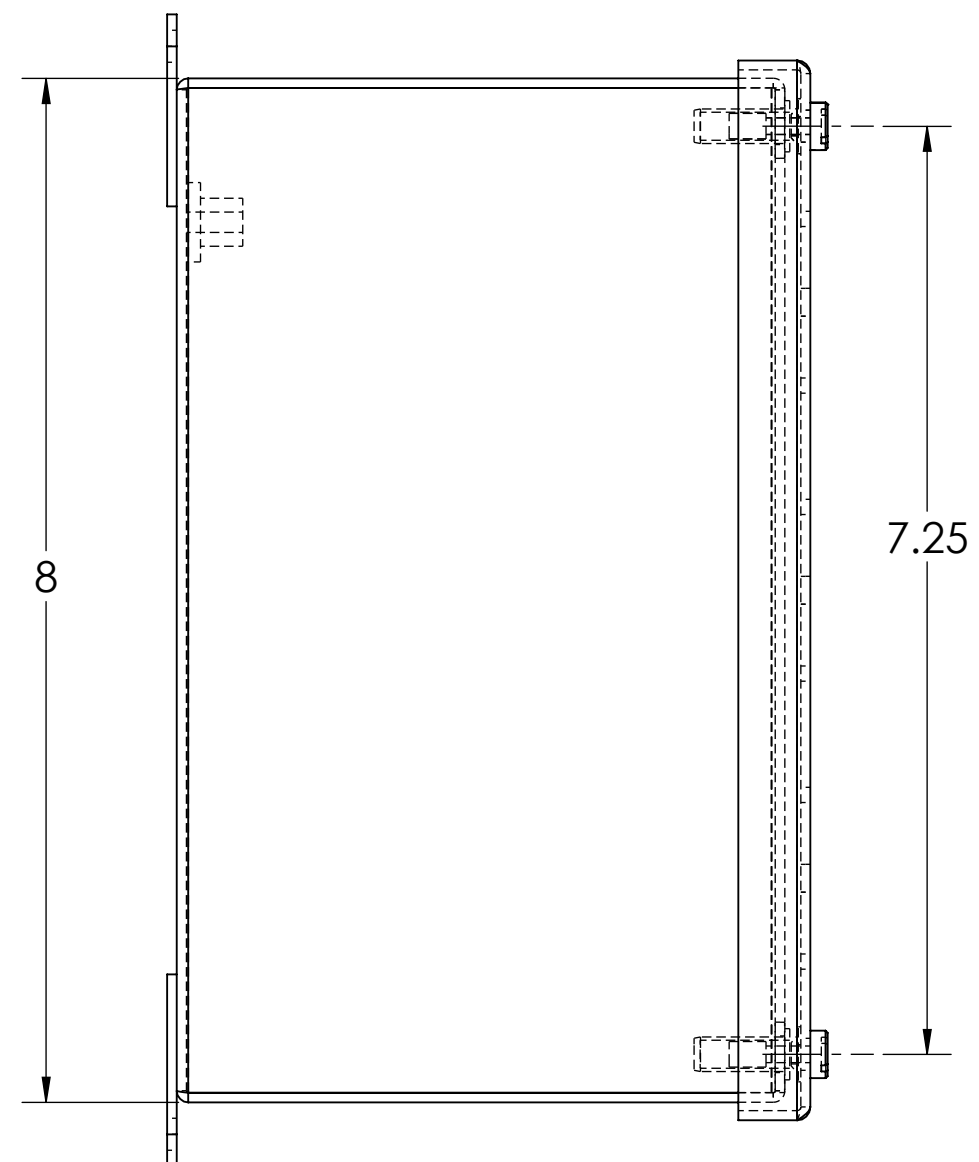
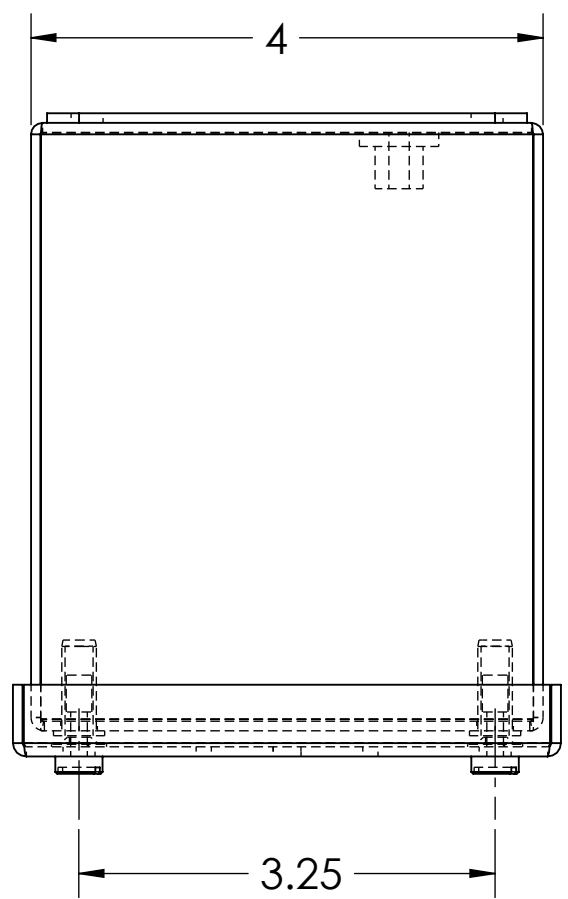
C

B

B

A

A



SECTION E-E  
SCALE 1 : 1.5

SECTION F-F  
SCALE 1 : 1.5

UNLESS OTHERWISE SPECIFIED:  
 DIMENSIONS ARE IN INCHES  
 TOLERANCES:  
 FRACTIONAL ±  
 ANGULAR: MACH ± BEND ±  
 TWO PLACE DECIMAL ±  
 THREE PLACE DECIMAL ±

**PROPRIETARY AND CONFIDENTIAL**  
 THE INFORMATION CONTAINED IN THIS  
 DRAWING IS THE SOLE PROPERTY OF  
 RALSTON METAL PRODUCTS. ANY  
 REPRODUCTION IN PART OR AS A WHOLE  
 WITHOUT THE WRITTEN PERMISSION OF  
 RALSTON METAL PRODUCTS IS  
 PROHIBITED.

DRAWN BY		NAME	DATE		<small>50 Watson Road, Guelph, Ontario N1L 1E2        Phone: (519) 836-2968 Toll Free: 1-800-265-7611        Fax: (519) 836-9763 www.ralstonmetal.com</small>	
ISSUED BY		CUSTOMER:				
JOB ORDER NO:		CUSTOMER DRAWING NO:		DWG. NO.		
MATERIAL		FINISH		SIZE	TITLE:	REV
DO NOT SCALE DRAWING		THIRD ANGLE PROJECTION		<b>D</b>	<b>PB37-3-30</b>	
				SCALE: 1:1	WEIGHT: 4.34	SHEET 1 OF 1