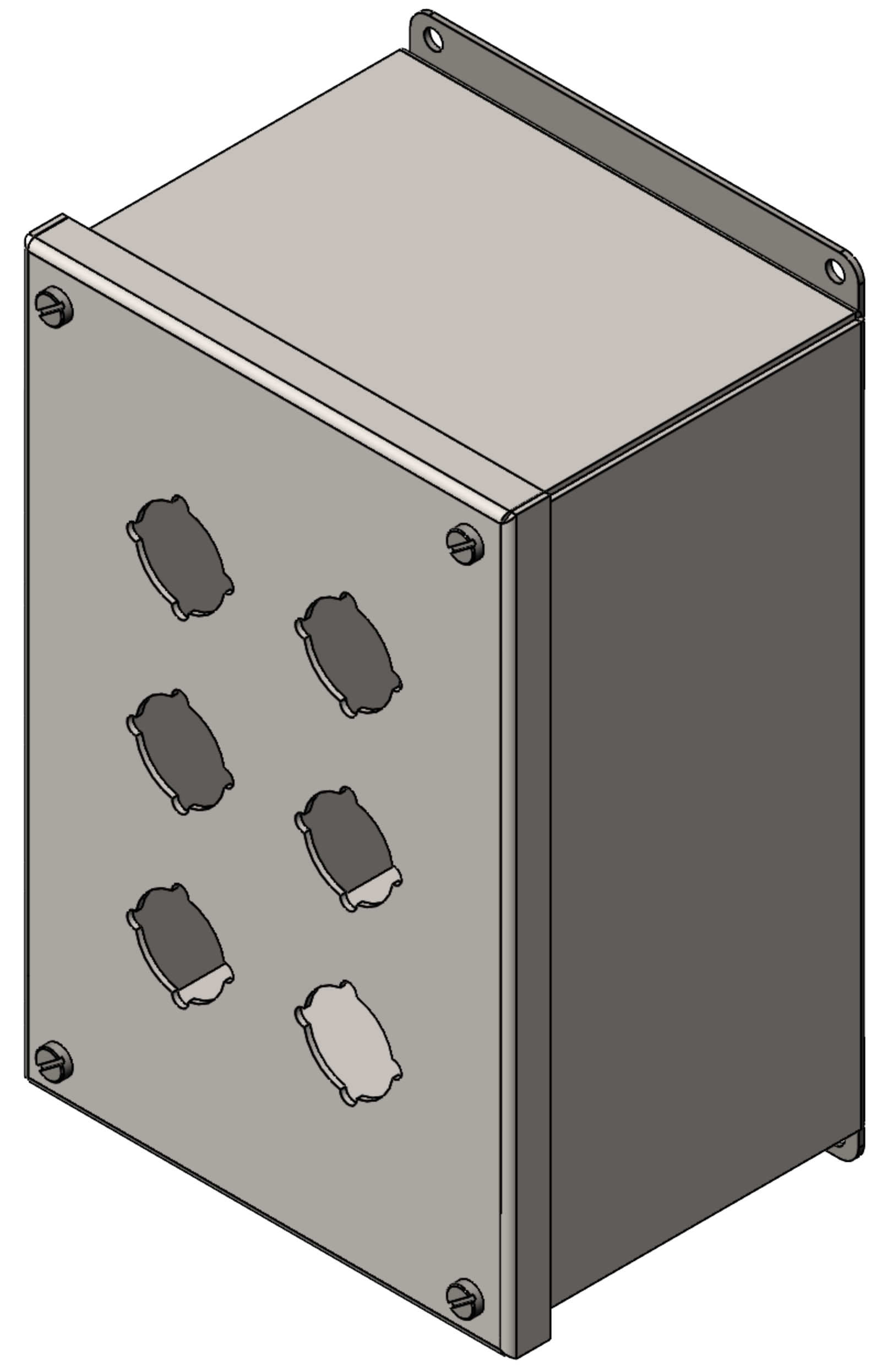
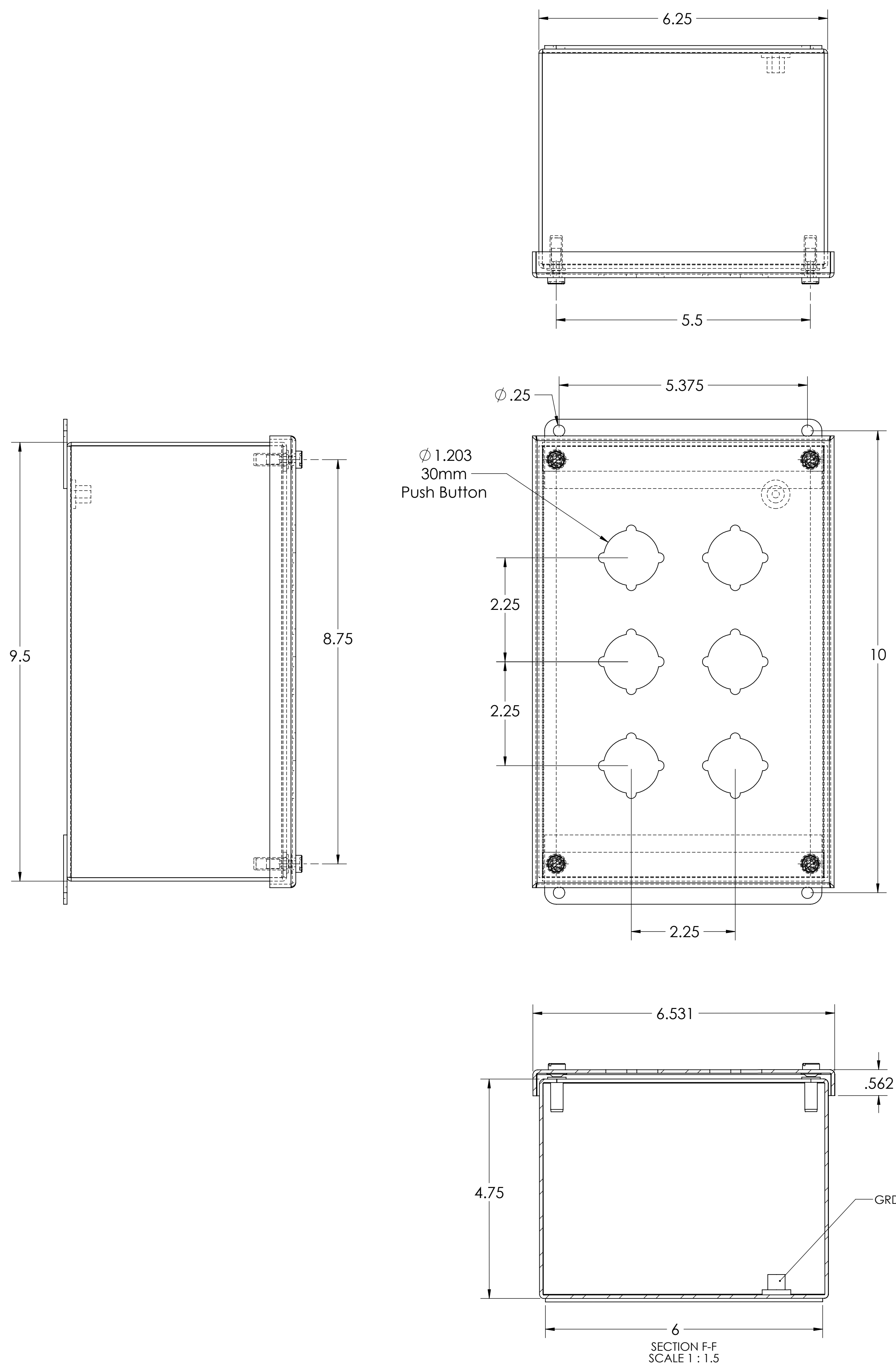


8 7 6 5 4 3 2 1

D
C
B
A

D
C
B
A



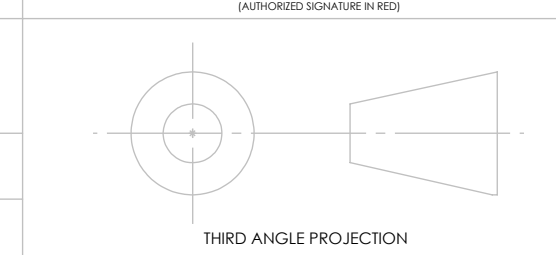
SECTION E-E
SCALE 1 : 1.5

SECTION F-F
SCALE 1 : 1.5

PROPRIETARY AND CONFIDENTIAL
THE INFORMATION CONTAINED IN THIS DRAWING IS THE SOLE PROPERTY OF RALSTON METAL PRODUCTS. ANY REPRODUCTION IN PART OR AS A WHOLE WITHOUT THE WRITTEN PERMISSION OF RALSTON METAL PRODUCTS IS PROHIBITED.

UNLESS OTHERWISE SPECIFIED:
DIMENSIONS ARE IN INCHES
TOLERANCES:
FRACTIONAL ±
ANGULAR: MACH ± BEND ±
TWO PLACE DECIMAL ±
THREE PLACE DECIMAL ±

NAME	DATE		<small>50 Watson Road, Guelph, Ontario N1L 1E2 Phone: (519) 836-2968 Toll Free: 1-800-265-7611 Fax: (519) 836-9763 www.ralstonmetal.com</small>	
DRAWN BY			CUSTOMER:	
ISSUED BY		JOB ORDER NO:		
CUSTOMER DRAWING NO:		DWG. NO.		
MATERIAL		SIZE	TITLE: PB37-6-30	REV
FINISH		SCALE: 1:1	WEIGHT: 6.47	SHEET 1 OF 1



8 7 6 5 4 3 2 1