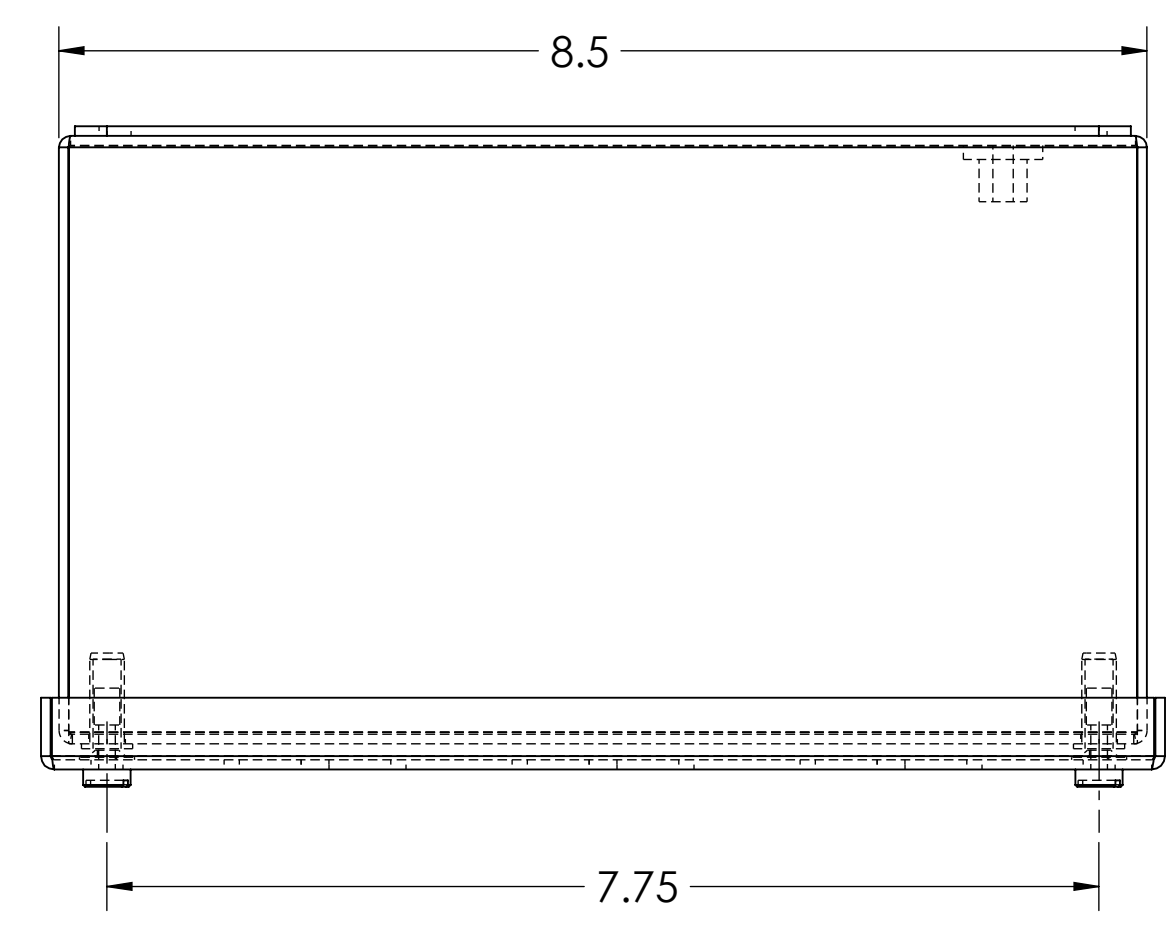


8 7 6 5 4 3 2 1

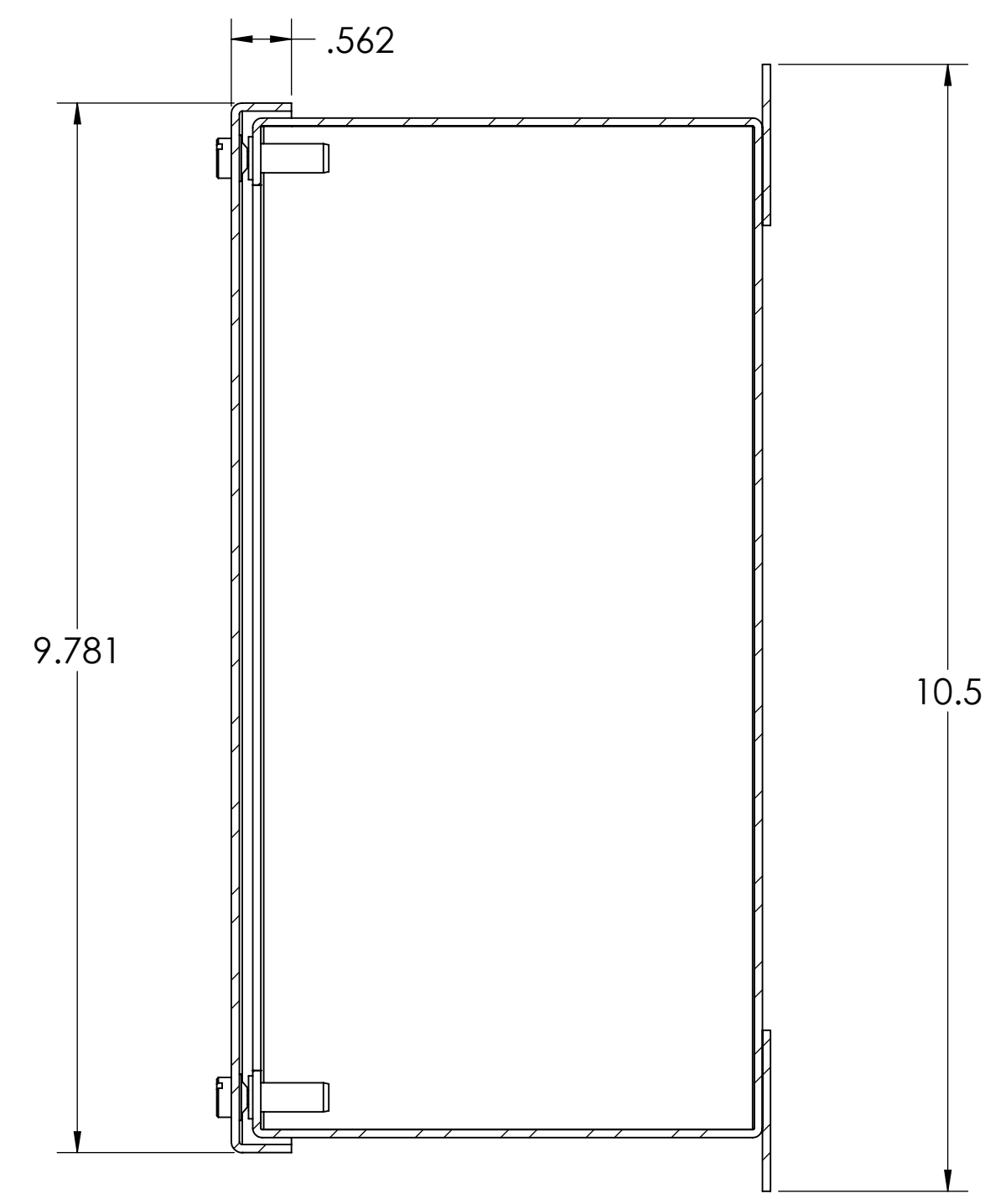
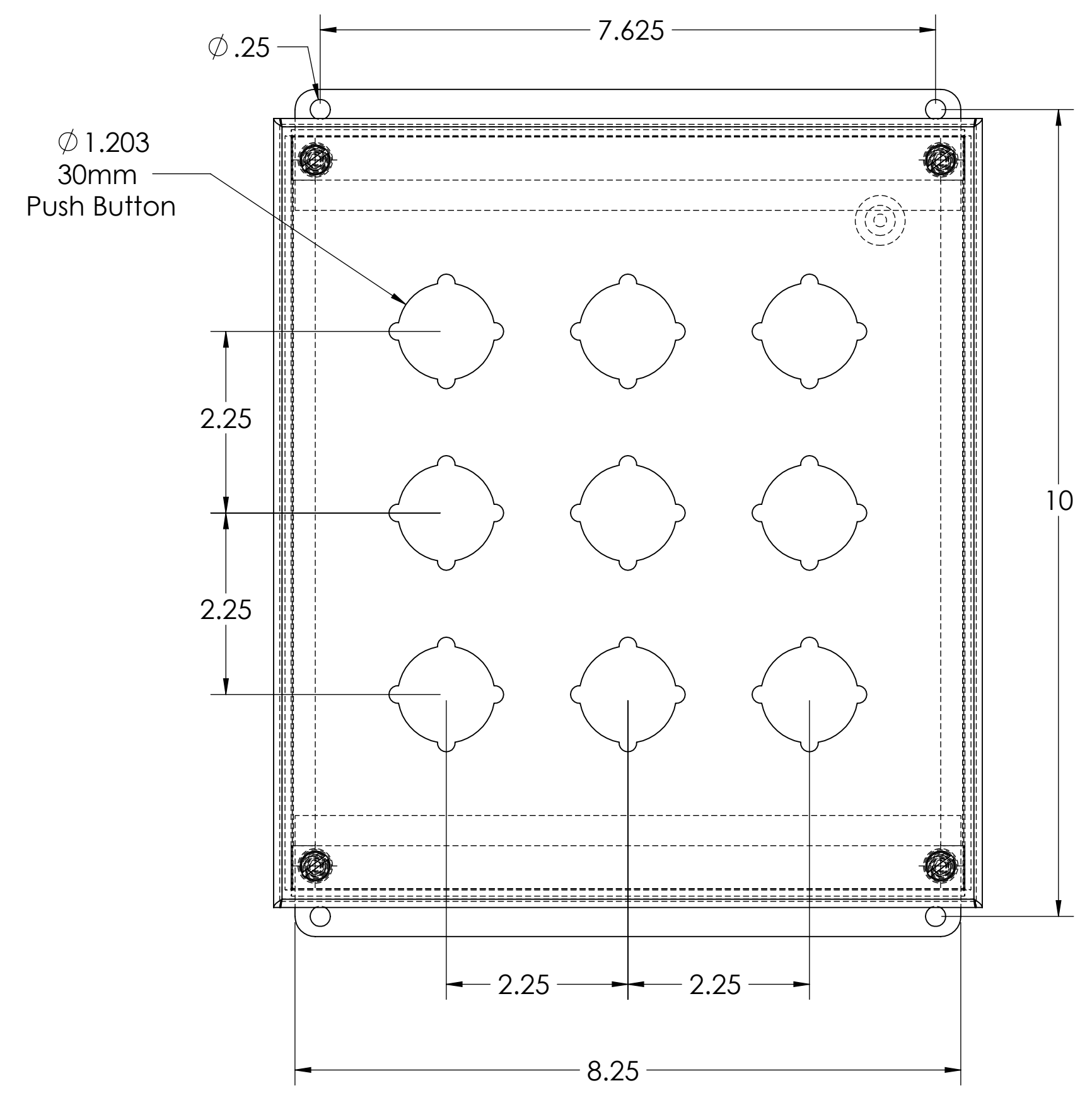
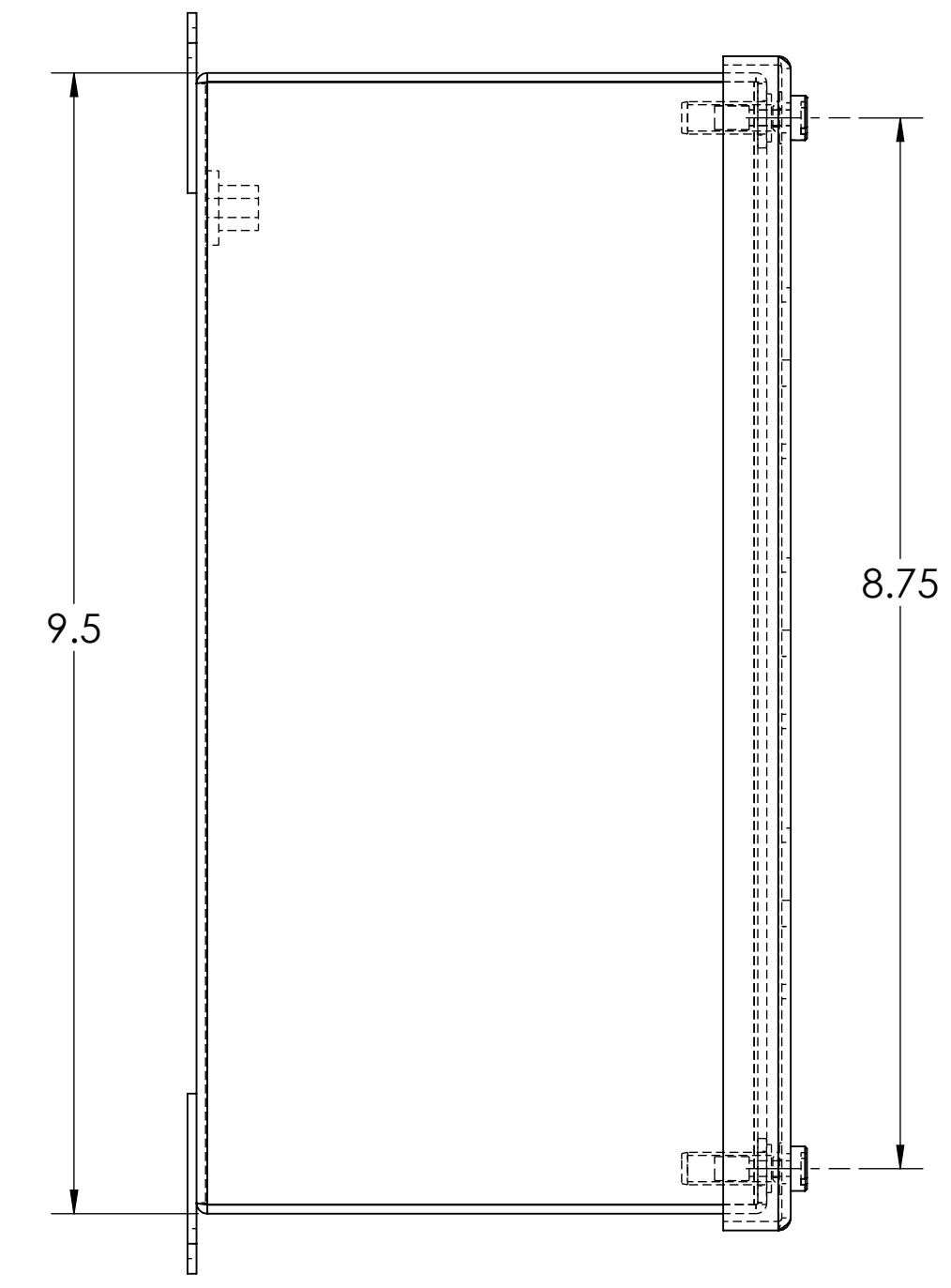
D

D

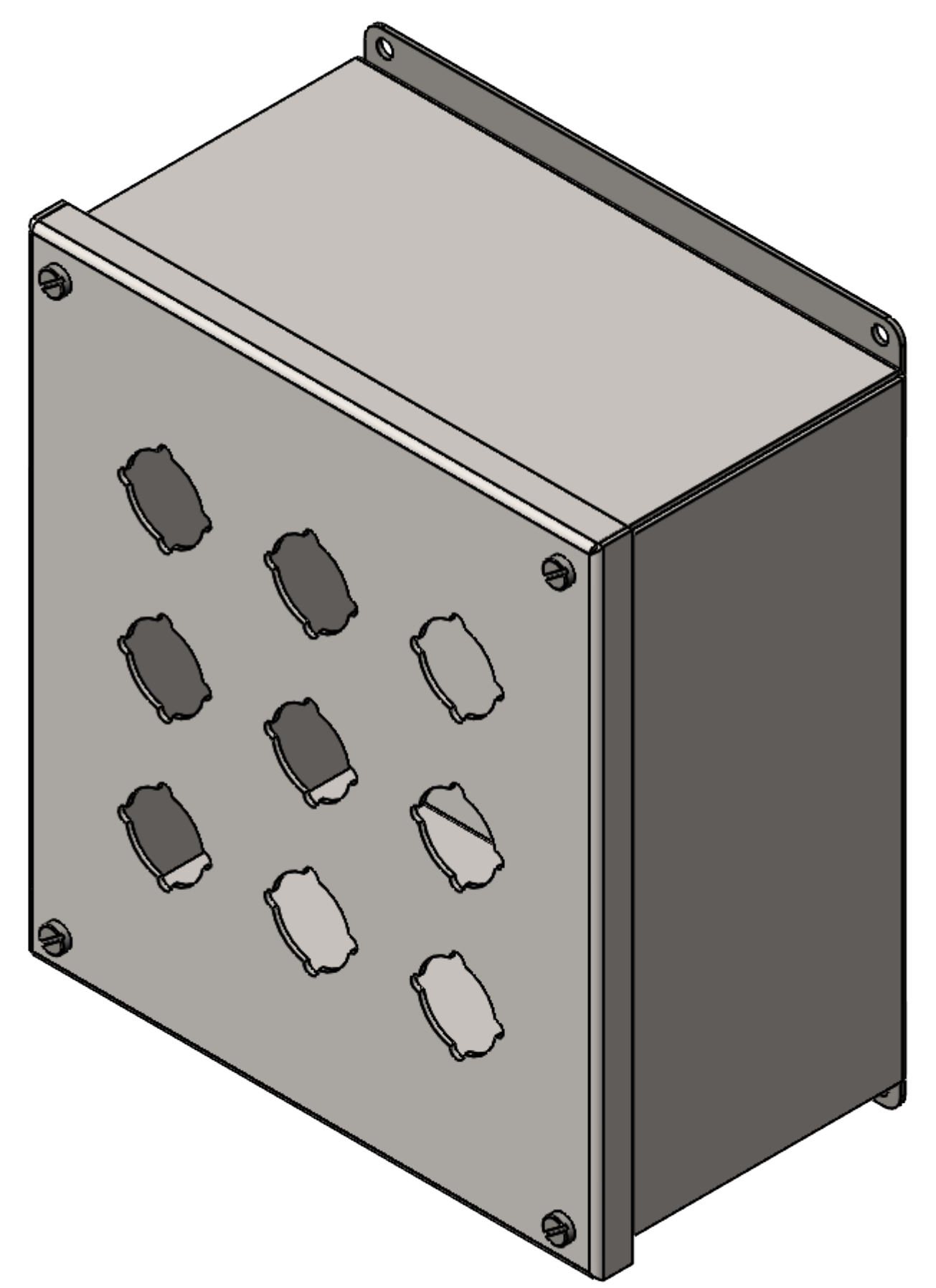


C

C

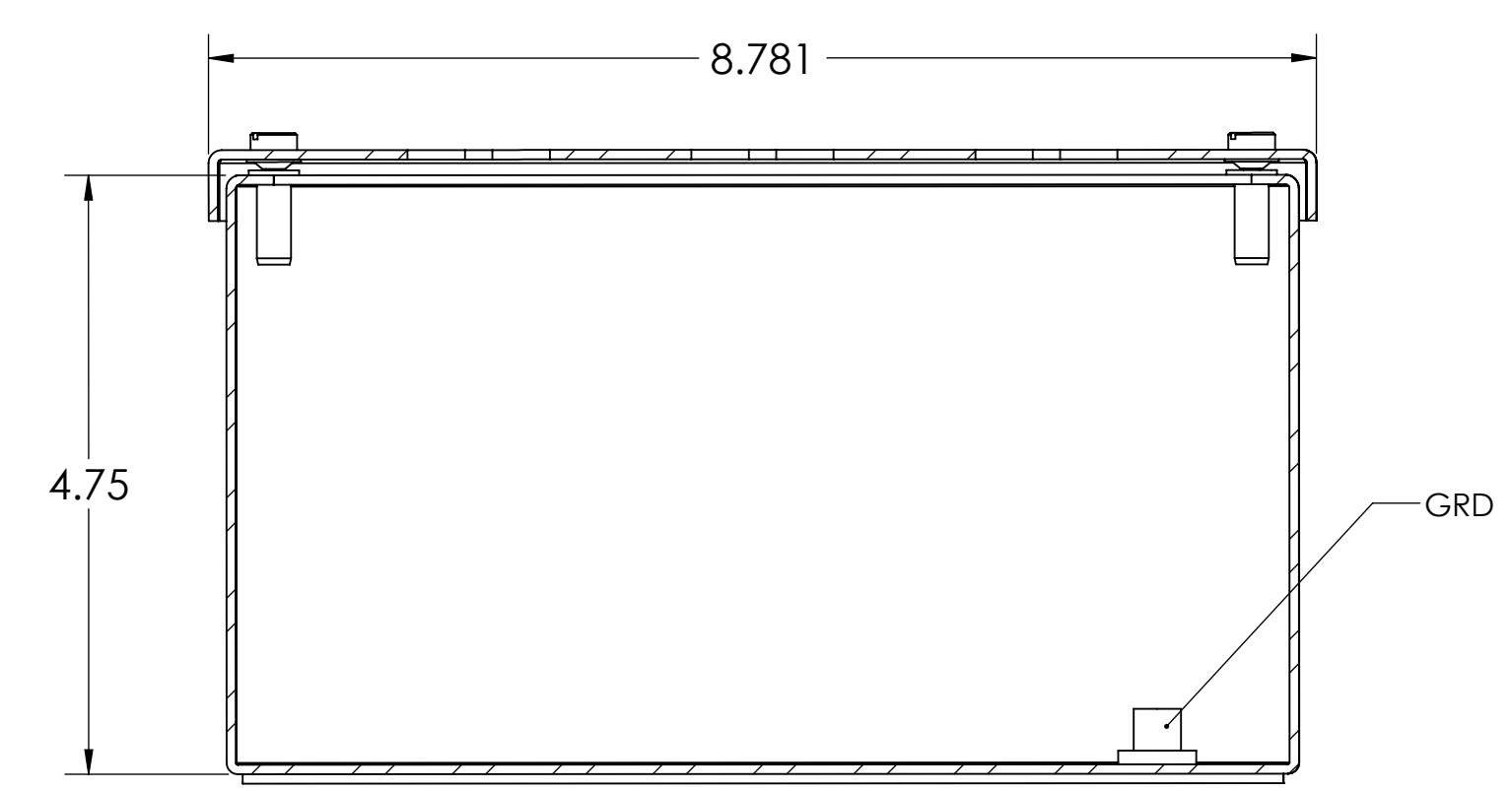


SECTION E-E  
SCALE 1 : 1.5



B

B



SECTION F-F  
SCALE 1 : 1.5

A

A

**PROPRIETARY AND CONFIDENTIAL**  
THE INFORMATION CONTAINED IN THIS DRAWING IS THE SOLE PROPERTY OF RALSTON METAL PRODUCTS. ANY REPRODUCTION IN PART OR AS A WHOLE WITHOUT THE WRITTEN PERMISSION OF RALSTON METAL PRODUCTS IS PROHIBITED.

UNLESS OTHERWISE SPECIFIED:  
DIMENSIONS ARE IN INCHES  
TOLERANCES:  
FRACTIONAL ±  
ANGULAR: MACH ± BEND ±  
TWO PLACE DECIMAL ±  
THREE PLACE DECIMAL ±

NAME	DATE
DRAWN BY	
ISSUED BY	
JOB ORDER NO:	
CUSTOMER DRAWING NO:	

**Ralston**  
Metal Products Limited

50 Watson Road, Guelph, Ontario N1L 1E2  
Phone: (519) 836-2968 Toll Free: 1-800-265-7611  
Fax: (519) 836-9763 www.ralstonmetal.com

CUSTOMER:  
DWG. NO.  
SIZE: **D** TITLE: **PB37-9-30** REV  
SCALE: 1:1 WEIGHT: 7.99 SHEET 1 OF 1

8 7 6 5 4 3 2 1