

4

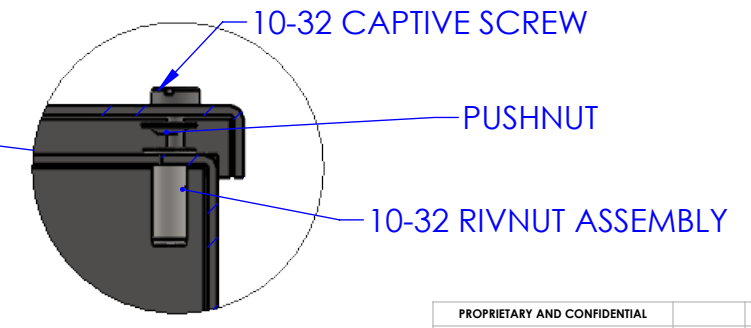
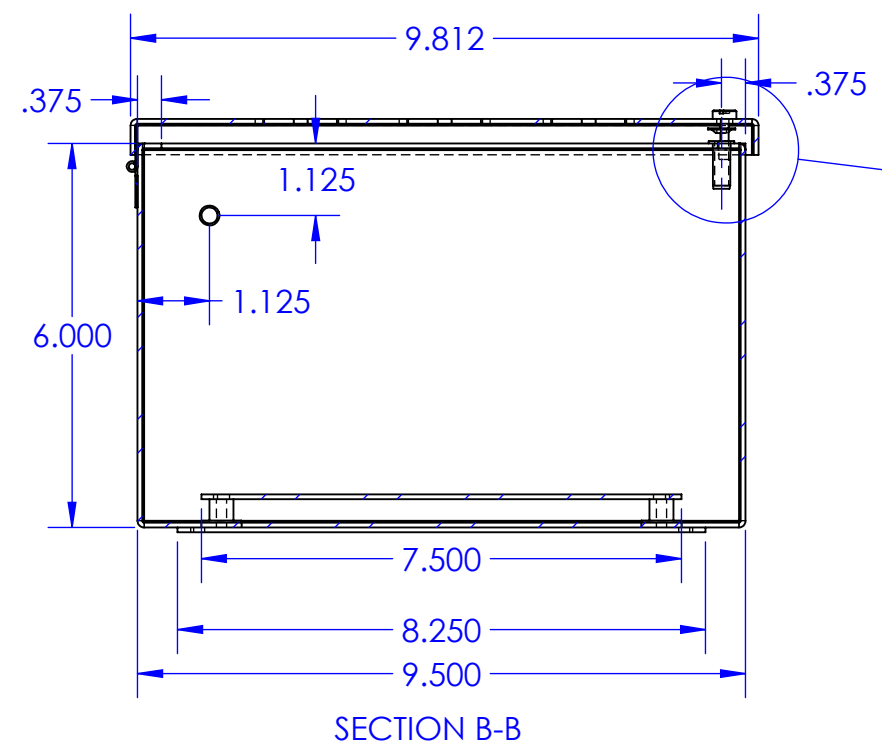
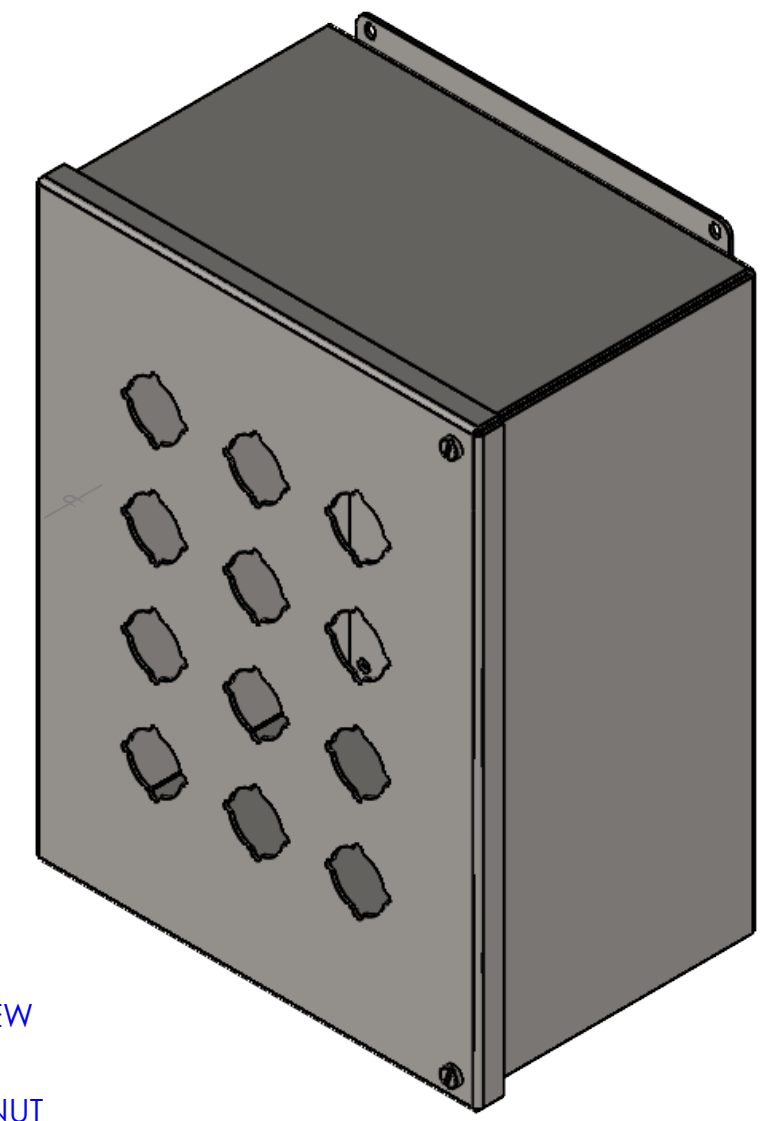
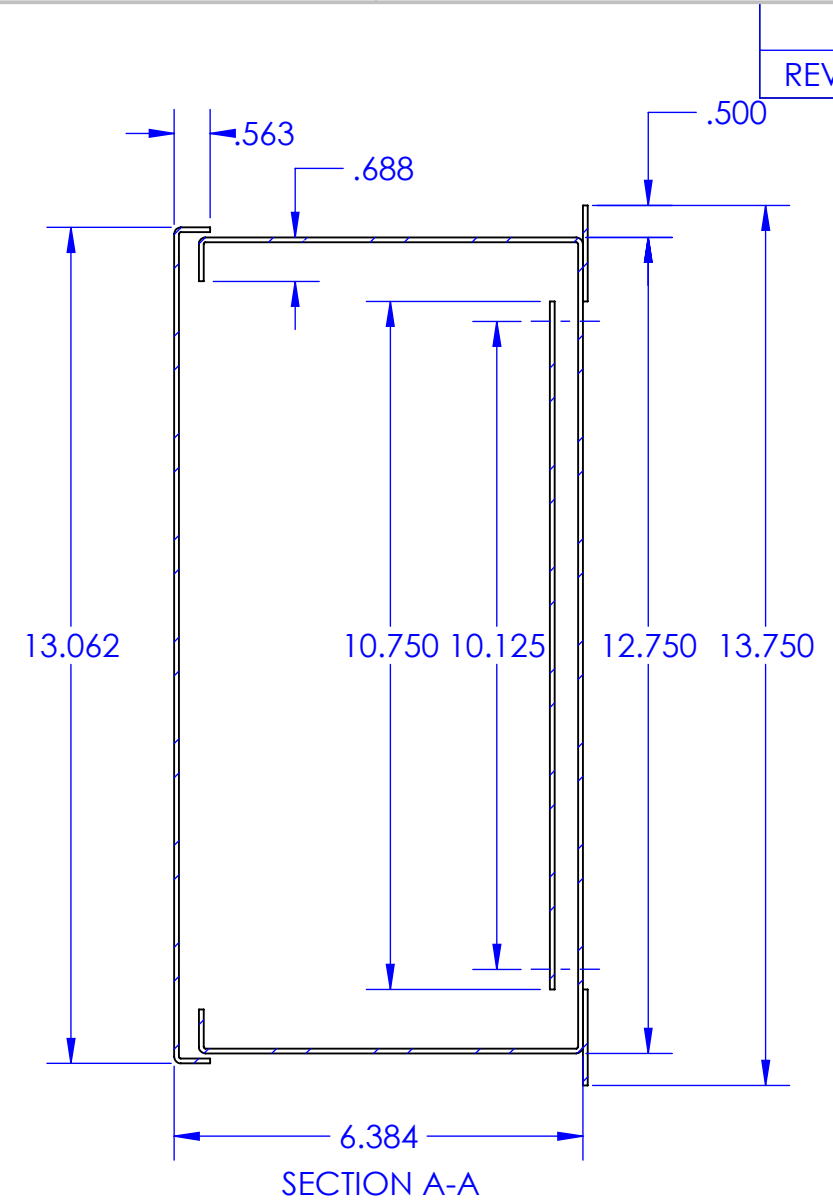
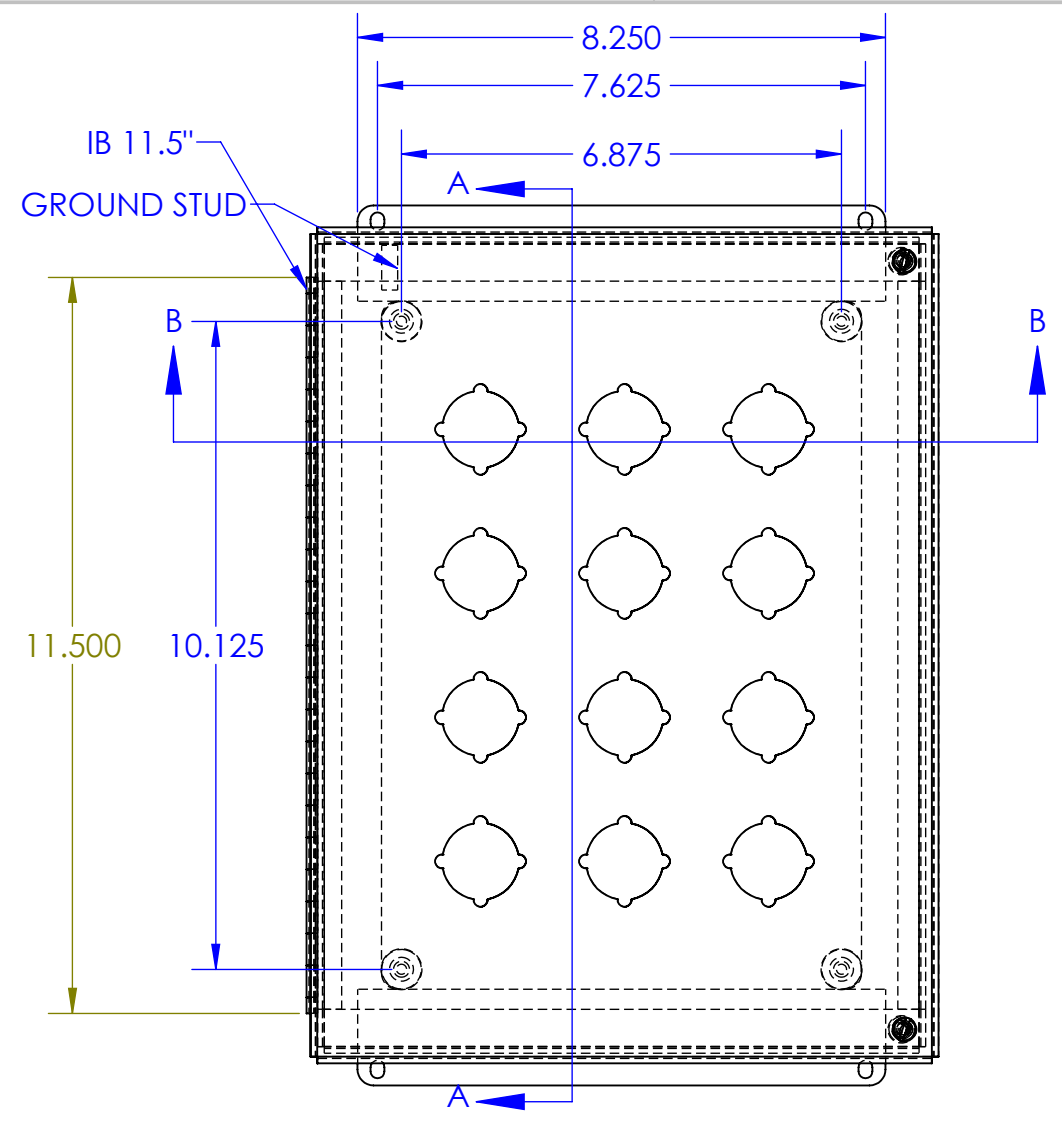
3

2

1

REVISIONS

REV.	DESCRIPTION	DATE	APPROVED



DETAIL C  
SCALE 2 : 3

**PROPRIETARY AND CONFIDENTIAL**  
 THE INFORMATION CONTAINED IN THIS DRAWING IS THE SOLE PROPERTY OF RALSTON METAL PRODUCTS. ANY REPRODUCTION IN PART OR AS A WHOLE WITHOUT THE WRITTEN PERMISSION OF RALSTON METAL PRODUCTS IS PROHIBITED.

**UNLESS OTHERWISE SPECIFIED**  
 DIMENSIONS ARE IN INCHES  
 TOLERANCES:  
 FRACTIONAL: ±1/32"  
 ANGULAR: MACH ±1° BEND ±1/32"  
 ONE PLACE DECIMAL ±0.1"  
 TWO PLACE DECIMAL ±0.01"  
 THREE PLACE DECIMAL ±0.005"

MATERIAL:  
 SEE BOM  
 FINISH:  
 SEE BOM  
 DO NOT SCALE DRAWING

NAME: \_\_\_\_\_ DATE: \_\_\_\_\_  
 DRAWN BY: \_\_\_\_\_  
 ISSUED BY: \_\_\_\_\_  
 JOB ORDER NO.: \_\_\_\_\_  
 CUSTOMER DRAWING NO.: \_\_\_\_\_  
 (AUTHORIZED SIGNATURE IN RED)

50 Watson Road  
 Guelph, Ontario N1L 1E2  
 Phone: (519) 836-2968  
 Toll Free: 1-800-265-7611  
 Fax: (519) 836-9763  
[www.ralstonmetal.com](http://www.ralstonmetal.com)

**Ralston**  
 Metal Products Limited

CUSTOMER: \_\_\_\_\_  
 SHOP DRAWING NUMBER: \_\_\_\_\_

SIZE: **B** PART NAME: **PB89-12** REV.: \_\_\_\_\_  
 PART NO.: **PB89-12 ASSEMBLY**  
 SCALE: 1:3 WEIGHT: 13.607 SHEET 1 OF 5

4

3

2

1

B

B

A

A