

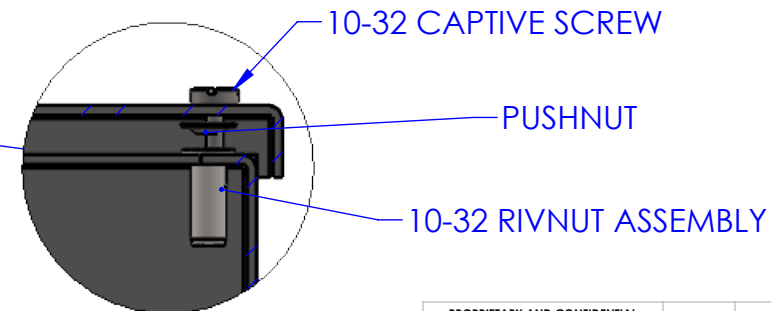
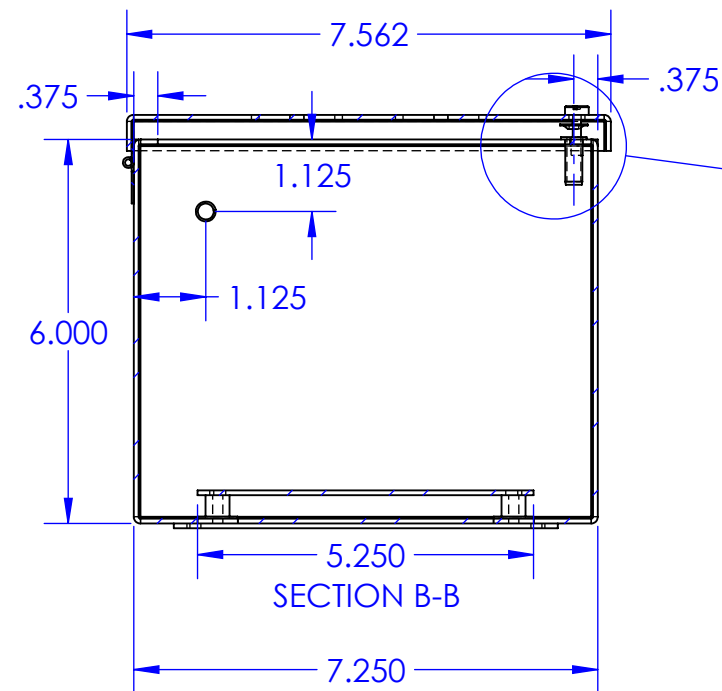
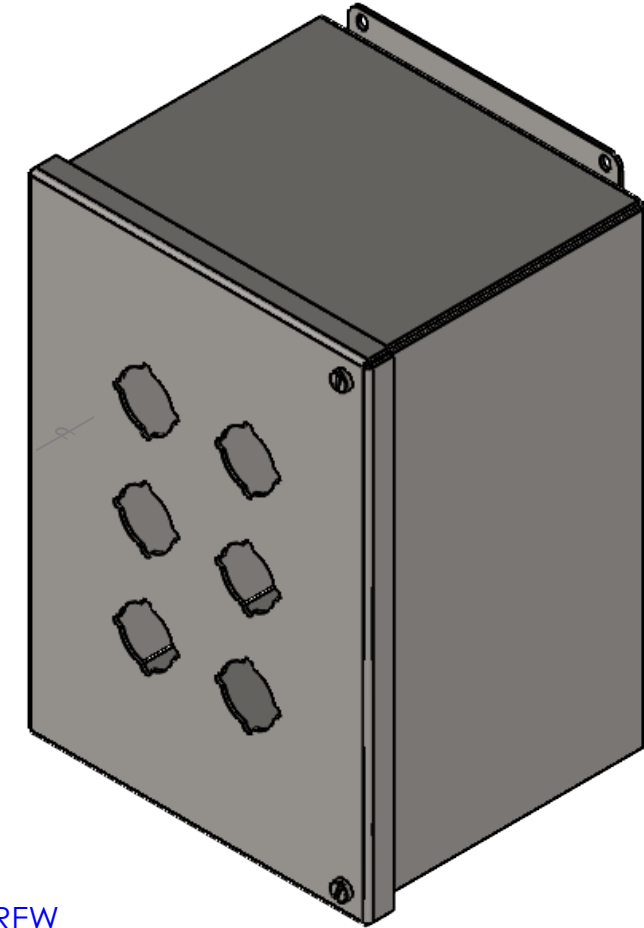
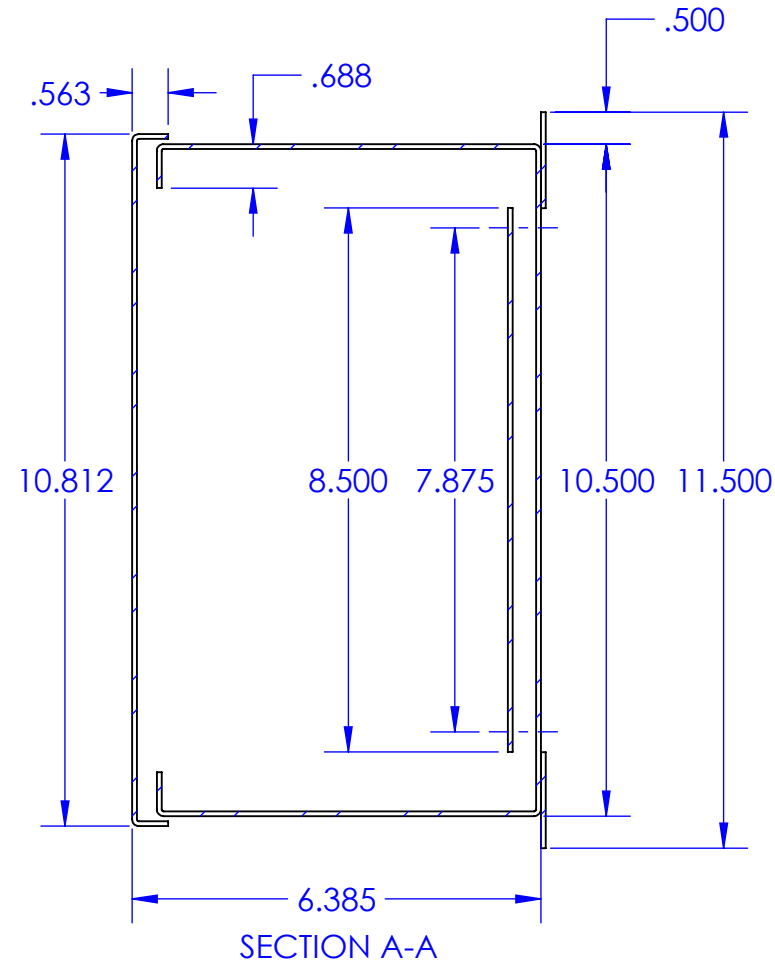
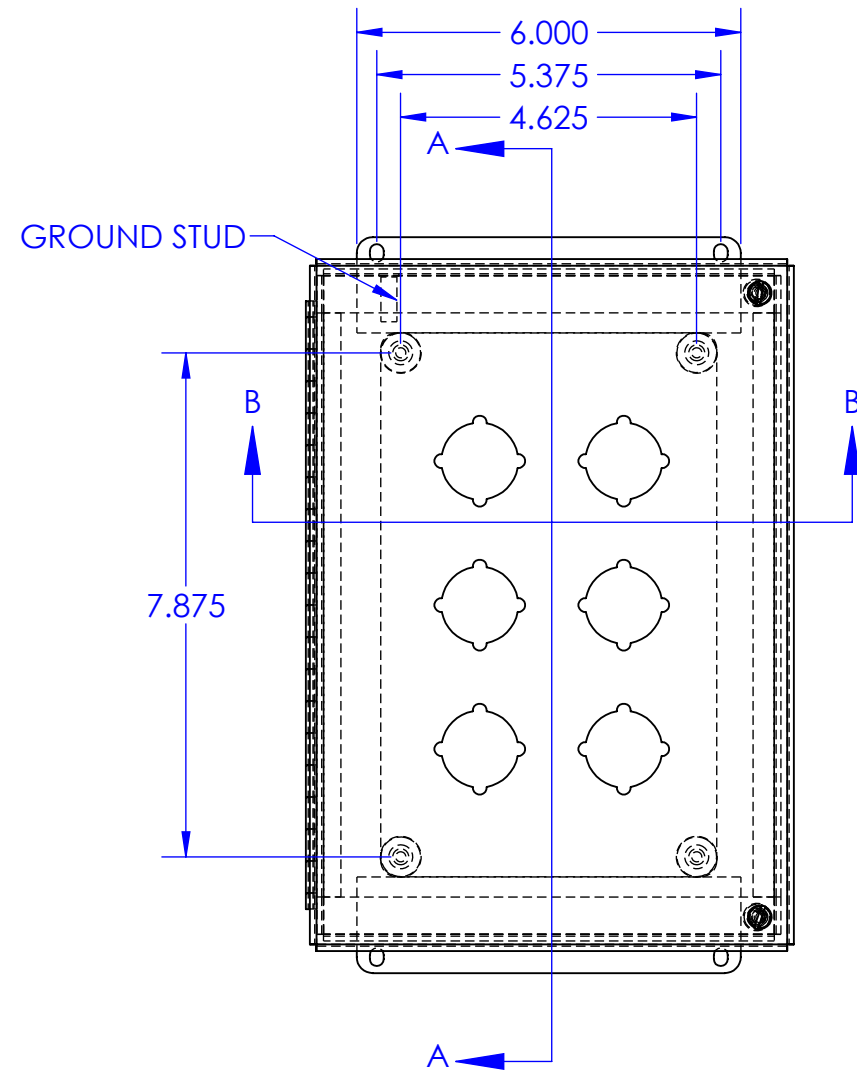
4

3

2

1

REVISIONS			
REV.	DESCRIPTION	DATE	APPROVED



<p>PROPRIETARY AND CONFIDENTIAL</p> <p>THE INFORMATION CONTAINED IN THIS DRAWING IS THE SOLE PROPERTY OF RALSTON METAL PRODUCTS. ANY REPRODUCTION IN PART OR AS A WHOLE WITHOUT THE WRITTEN PERMISSION OF RALSTON METAL PRODUCTS IS PROHIBITED.</p> <p>UNLESS OTHERWISE SPECIFIED</p> <p>DIMENSIONS ARE IN INCHES</p> <p>TOLERANCES:</p> <p>FRACTIONAL ±1/32"</p> <p>ANGULAR: MACH±1° BEND ±1/32"</p> <p>ONE PLACE DECIMAL ±0.1"</p> <p>TWO PLACE DECIMAL ±0.01"</p> <p>THREE PLACE DECIMAL ±0.005"</p> <p>MATERIAL:</p> <p>SEE BOM</p> <p>FINISH:</p> <p>SEE BOM</p> <p>DO NOT SCALE DRAWING</p>	<p>NAME</p> <p>DATE</p>	<p>50 Watson Road Guelph, Ontario N1L 1E2</p> <p>Phone: (519) 836-2968 Toll Free: 1-800-265-7611 Fax: (519) 836-9763 www.ralstonmetal.com</p> <p>Ralston Metal Products Limited</p>	
	<p>DRAWN BY</p> <p>ISSUED BY</p> <p>JOB ORDER NO:</p>		<p>CUSTOMER:</p> <p>SHOP DRAWING NUMBER:</p>
	<p>CUSTOMER DRAWING NO:</p> <p>(AUTHORIZED SIGNATURE IN RED)</p>		<p>SIZE</p> <p>PART NAME:</p> <p>REV.</p>
<p>PART NO. PB89-6 ASSEMBLY</p> <p>SCALE: 1:3 WEIGHT: 9.604 SHEET 1 OF 5</p>		<p>SIZE B PART NAME: PB89-6</p>	

4

3

2

1