

4

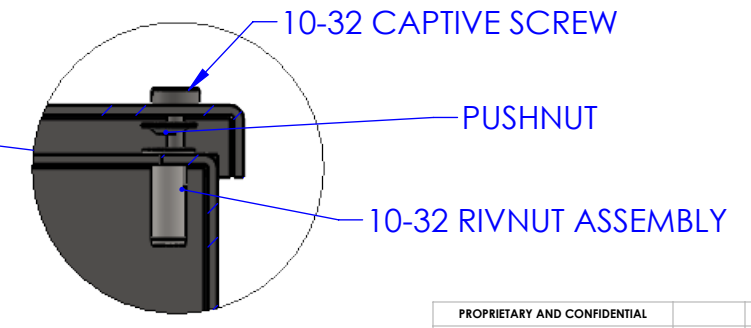
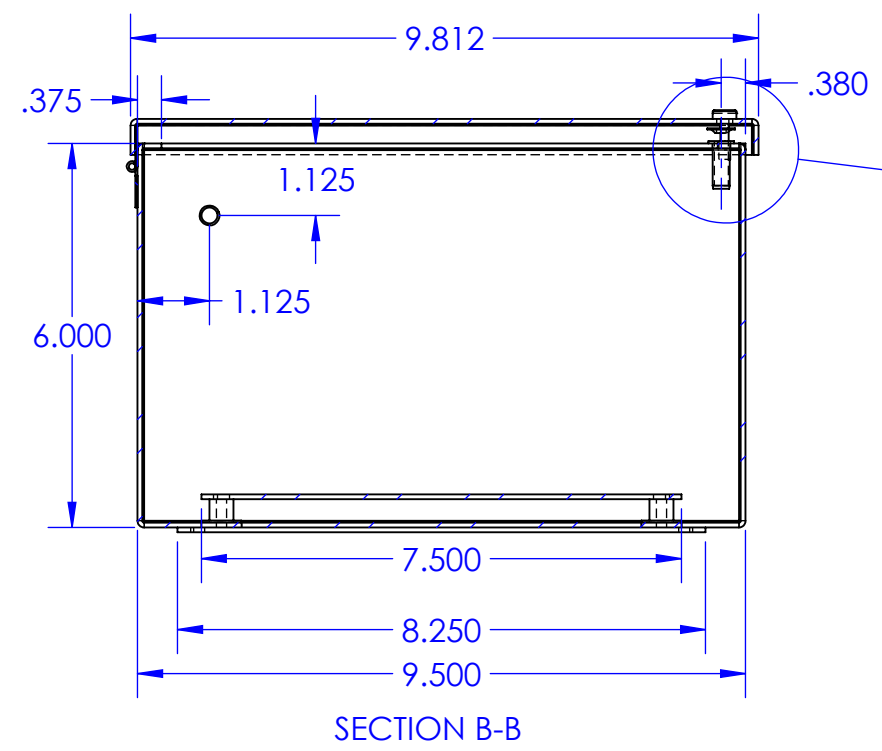
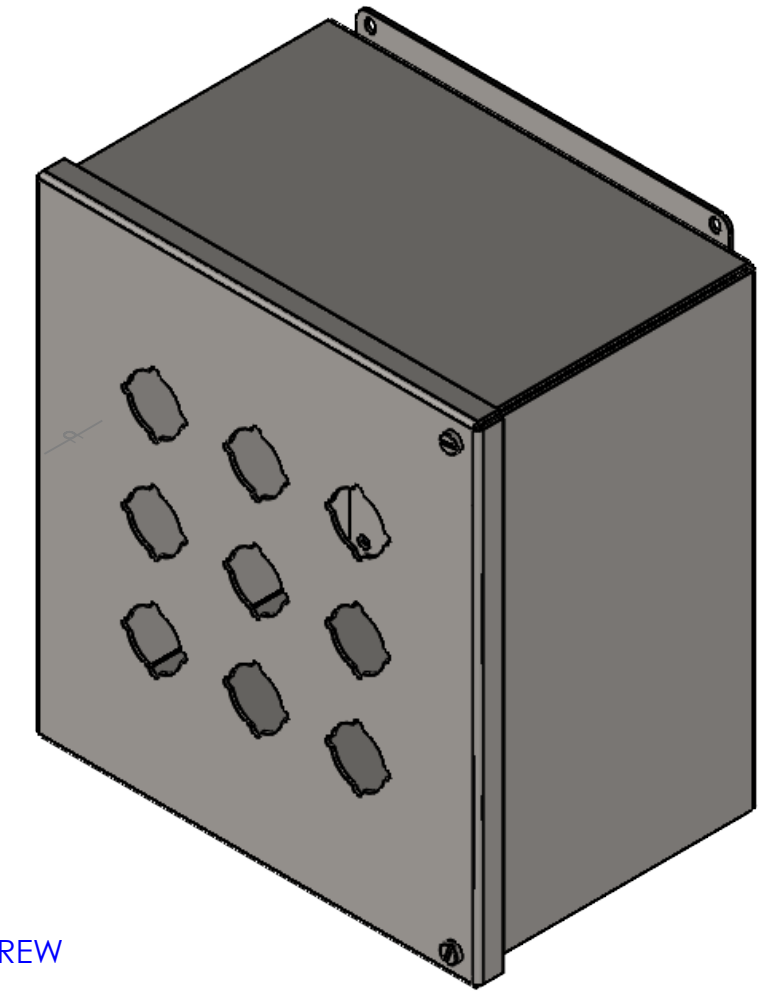
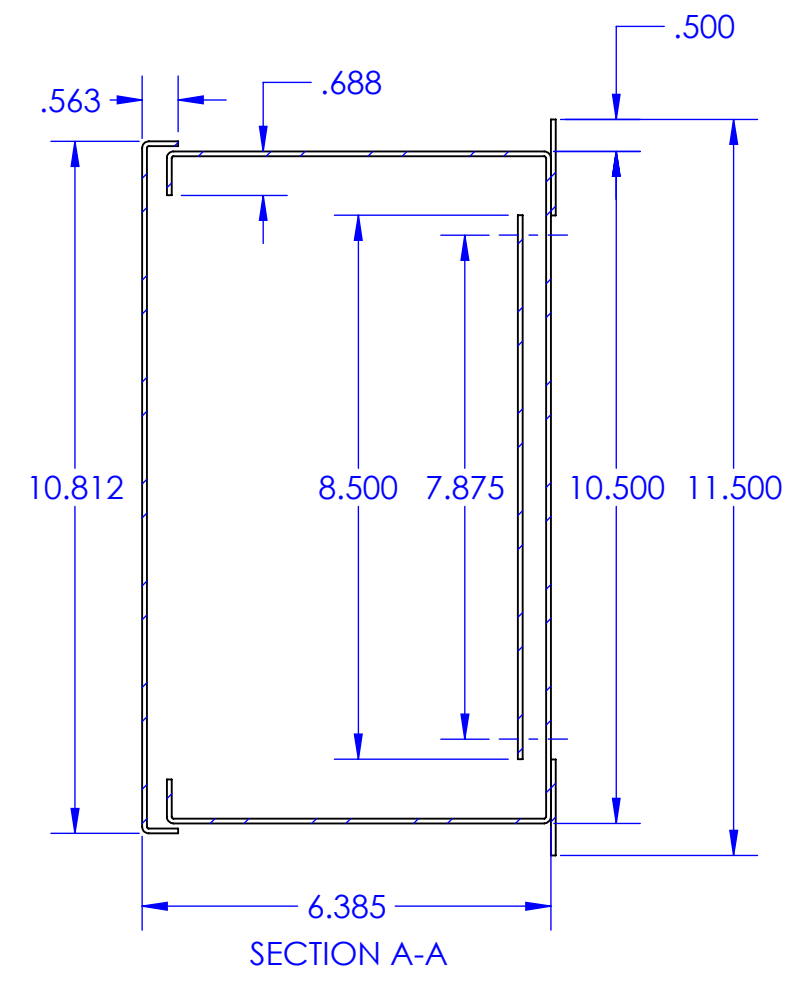
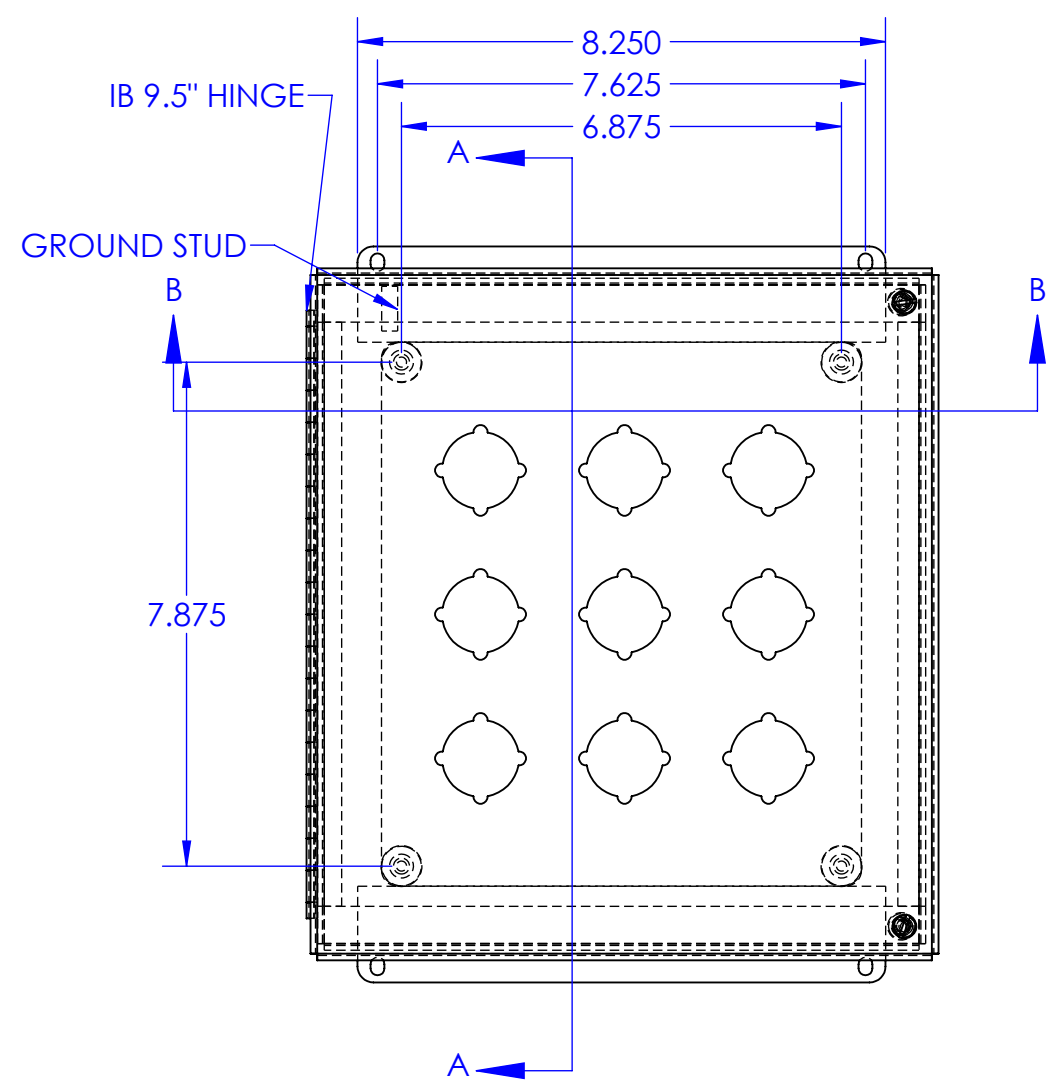
3

2

1

REVISIONS

REV.	DESCRIPTION	DATE	APPROVED
------	-------------	------	----------



DETAIL C SCALE 2 : 3

**PROPRIETARY AND CONFIDENTIAL**  
THE INFORMATION CONTAINED IN THIS DRAWING IS THE SOLE PROPERTY OF RALSTON METAL PRODUCTS. ANY REPRODUCTION IN PART OR AS A WHOLE WITHOUT THE WRITTEN PERMISSION OF RALSTON METAL PRODUCTS IS PROHIBITED.

**UNLESS OTHERWISE SPECIFIED**  
DIMENSIONS ARE IN INCHES  
TOLERANCES:  
FRACTIONAL: ±1/32"  
ANGULAR: MACH ±1° BEND ±1/32"  
ONE PLACE DECIMAL ±0.1"  
TWO PLACE DECIMAL ±0.01"  
THREE PLACE DECIMAL ±0.005"

MATERIAL:  
SEE BOM  
FINISH:  
SEE BOM  
DO NOT SCALE DRAWING

NAME  
DATE  
DRAWN BY  
ISSUED BY  
JOB ORDER NO.  
CUSTOMER DRAWING NO.  
(AUTHORIZED SIGNATURE IN RED)  
THIRD ANGLE PROJECTION

50 Watson Road  
Guelph, Ontario N1L 1E2  
Phone: (519) 836-2968  
Toll Free: 1-800-265-7611  
Fax: (519) 836-9763  
www.ralstonmetal.com

**Ralston**  
Metal Products Limited

CUSTOMER:  
SHOP DRAWING NUMBER:  
SIZE: **B** PART NAME: **PB89-9** REV.  
PART NO. **PB89-9 ASSEMBLY**  
SCALE: 1:3 WEIGHT: 11.747 SHEET 1 OF 5

4

3

2

1

B

B

A

A