

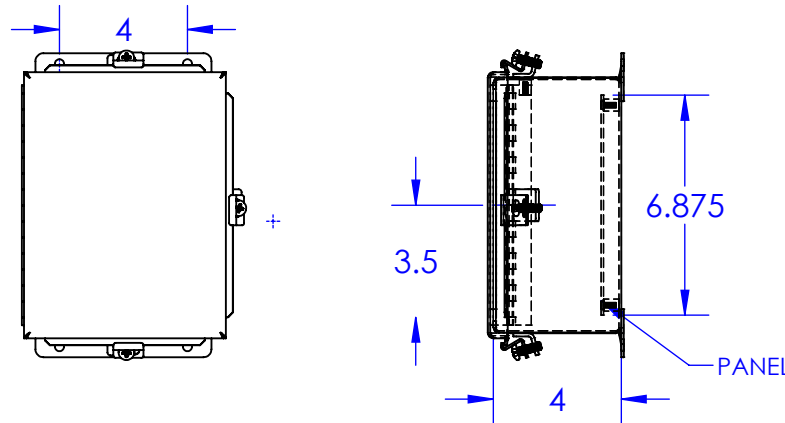
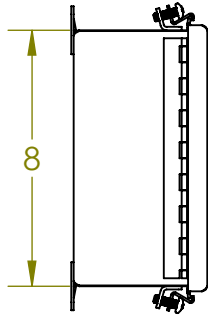
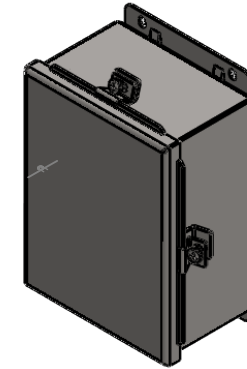
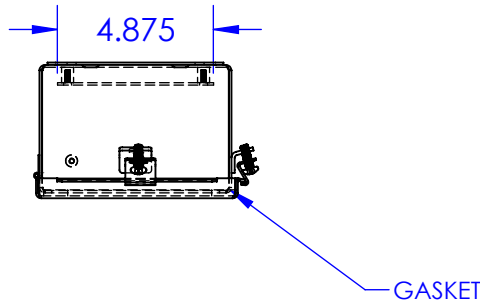
2

1

| REVISIONS | | | |
|-----------|-------------|------|----------|
| REV. | DESCRIPTION | DATE | APPROVED |

B

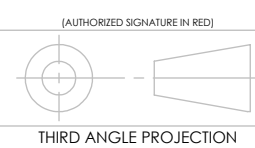
B



A

A

| | | | | | |
|---|---------------|-------------------------|---|-----------------|------|
| <p>PROPRIETARY AND CONFIDENTIAL</p> <p>THE INFORMATION CONTAINED IN THIS DRAWING IS THE SOLE PROPERTY OF RALSTON METAL PRODUCTS. ANY REPRODUCTION IN PART OR AS A WHOLE WITHOUT THE WRITTEN PERMISSION OF RALSTON METAL PRODUCTS IS PROHIBITED.</p> <p>UNLESS OTHERWISE SPECIFIED</p> <p>DIMENSIONS ARE IN INCHES</p> <p>TOLERANCES:</p> <p>FRACTIONAL $\pm 1/32"$</p> <p>ANGULAR: MACH $\pm 1^\circ$ BEND $\pm 1/32"$</p> <p>ONE PLACE DECIMAL $\pm 0.1"$</p> <p>TWO PLACE DECIMAL $\pm 0.01"$</p> <p>THREE PLACE DECIMAL $\pm 0.005"$</p> <p>MATERIAL:</p> <p>SEE BOM</p> <p>FINISH:</p> <p>SEE BOM</p> <p>DO NOT SCALE DRAWING</p> | NAME | DATE | <p>50 Watson Road Guelph, Ontario N1L 1E2</p> <p>Phone: (519) 836-2968 Toll Free: 1-800-265-7611 Fax: (519) 836-9763 www.ralstonmetal.com</p> | | |
| | DRAWN BY | DAVID CIKURU | | 2/8/2019 | |
| | ISSUED BY | | | | |
| | JOB ORDER NO: | | | | |
| CUSTOMER DRAWING NO: | | | CUSTOMER: | | |
| | | | SHOP DRAWING NUMBER: | | |
| | | | SIZE | PART NAME: | REV. |
| | | | A | IBWRH-SS-080604 | - |
| | PART NO. | IBWRH-SS 080604-DRAWING | | | |
| | SCALE: 1:6 | WEIGHT: 6.607 | SHEET 1 OF 1 | | |



2

1