

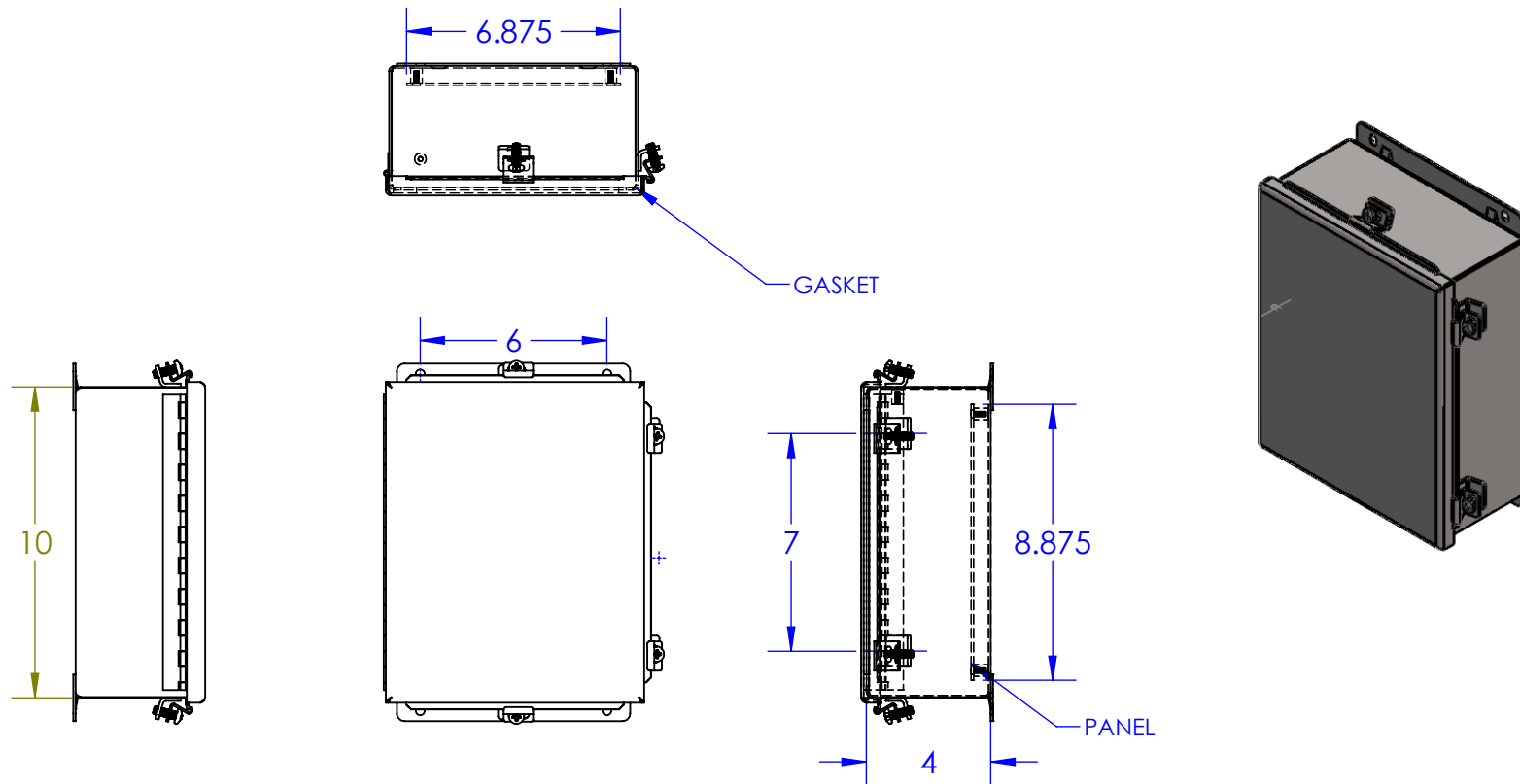
2

1

REVISIONS			
REV.	DESCRIPTION	DATE	APPROVED

B

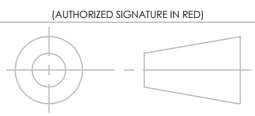
B



A

A

<p><b>PROPRIETARY AND CONFIDENTIAL</b></p> <p>THE INFORMATION CONTAINED IN THIS DRAWING IS THE SOLE PROPERTY OF RALSTON METAL PRODUCTS. ANY REPRODUCTION IN PART OR AS A WHOLE WITHOUT THE WRITTEN PERMISSION OF RALSTON METAL PRODUCTS IS PROHIBITED.</p> <p><b>UNLESS OTHERWISE SPECIFIED</b></p> <p>DIMENSIONS ARE IN INCHES</p> <p>TOLERANCES:</p> <p>FRACTIONAL <math>\pm 1/32"</math></p> <p>ANGULAR: MACH <math>\pm 1^\circ</math> BEND <math>\pm 1/32"</math></p> <p>ONE PLACE DECIMAL <math>\pm 0.1"</math></p> <p>TWO PLACE DECIMAL <math>\pm 0.01"</math></p> <p>THREE PLACE DECIMAL <math>\pm 0.005"</math></p> <p>MATERIAL:</p> <p>SEE BOM</p> <p>FINISH:</p> <p>SEE BOM</p> <p>DO NOT SCALE DRAWING</p>	NAME	DATE	<p>50 Watson Road Guelph, Ontario N1L 1E2</p> <p>Phone: (519) 836-2968 Toll Free: 1-800-265-7611 Fax: (519) 836-9763 www.ralstonmetal.com</p>		
	DRAWN BY	DAVID CIKURU		2/8/2019	
	ISSUED BY				
	JOB ORDER NO:				
CUSTOMER DRAWING NO:			CUSTOMER:		
			SHOP DRAWING NUMBER:		
			SIZE	PART NAME:	REV.
			<b>A</b>	<b>IBWRH-SS-100804</b>	-
	PART NO.	IBWRH-SS 100804-DRAWING			
	SCALE: 1:6	WEIGHT: 9.703	SHEET 1 OF 1		



THIRD ANGLE PROJECTION

2

1