

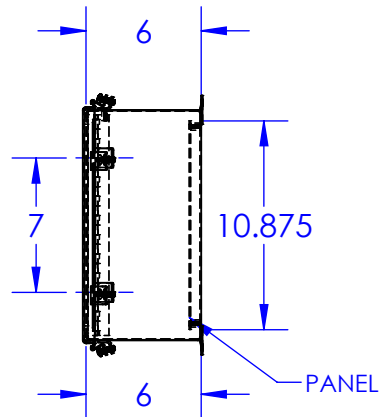
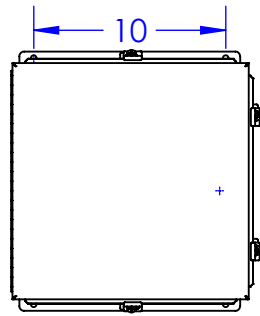
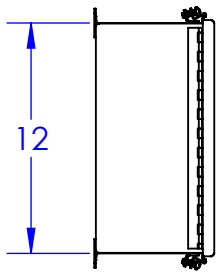
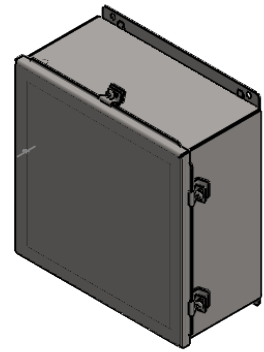
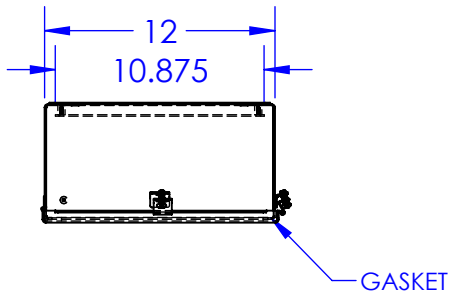
2

1

REVISIONS			
REV.	DESCRIPTION	DATE	APPROVED

B

B



A

A

<b>PROPRIETARY AND CONFIDENTIAL</b> THE INFORMATION CONTAINED IN THIS DRAWING IS THE SOLE PROPERTY OF RALSTON METAL PRODUCTS. ANY REPRODUCTION IN PART OR AS A WHOLE WITHOUT THE WRITTEN PERMISSION OF RALSTON METAL PRODUCTS IS PROHIBITED.	NAME	DATE	 50 Watson Road Guelph, Ontario N1L 1E2 Phone: (519) 836-2968 Toll Free: 1-800-265-7611 Fax: (519) 836-9763 www.ralstonmetal.com
	DRAWN BY	DAVID CIKURU	
<b>UNLESS OTHERWISE SPECIFIED</b> DIMENSIONS ARE IN INCHES TOLERANCES: FRACTIONAL $\pm 1/32"$ ANGULAR: MACH $\pm 1^\circ$ BEND $\pm 1/32"$ ONE PLACE DECIMAL $\pm 0.1"$ TWO PLACE DECIMAL $\pm 0.01"$ THREE PLACE DECIMAL $\pm 0.005"$ MATERIAL: SEE BOM FINISH: SEE BOM DO NOT SCALE DRAWING	ISSUED BY		CUSTOMER:  SHOP DRAWING NUMBER:
	JOB ORDER NO:		
	CUSTOMER DRAWING NO:		SIZE: <b>A</b> PART NAME: <b>IBWRH-SS-121206</b> REV.: <b>-</b>
	(AUTHORIZED SIGNATURE IN RED)		PART NO. <b>IBWRH-SS 121206-DRAWING</b> SCALE: 1:10 WEIGHT: 17.399 SHEET 1 OF 1
	THIRD ANGLE PROJECTION		

2

1