

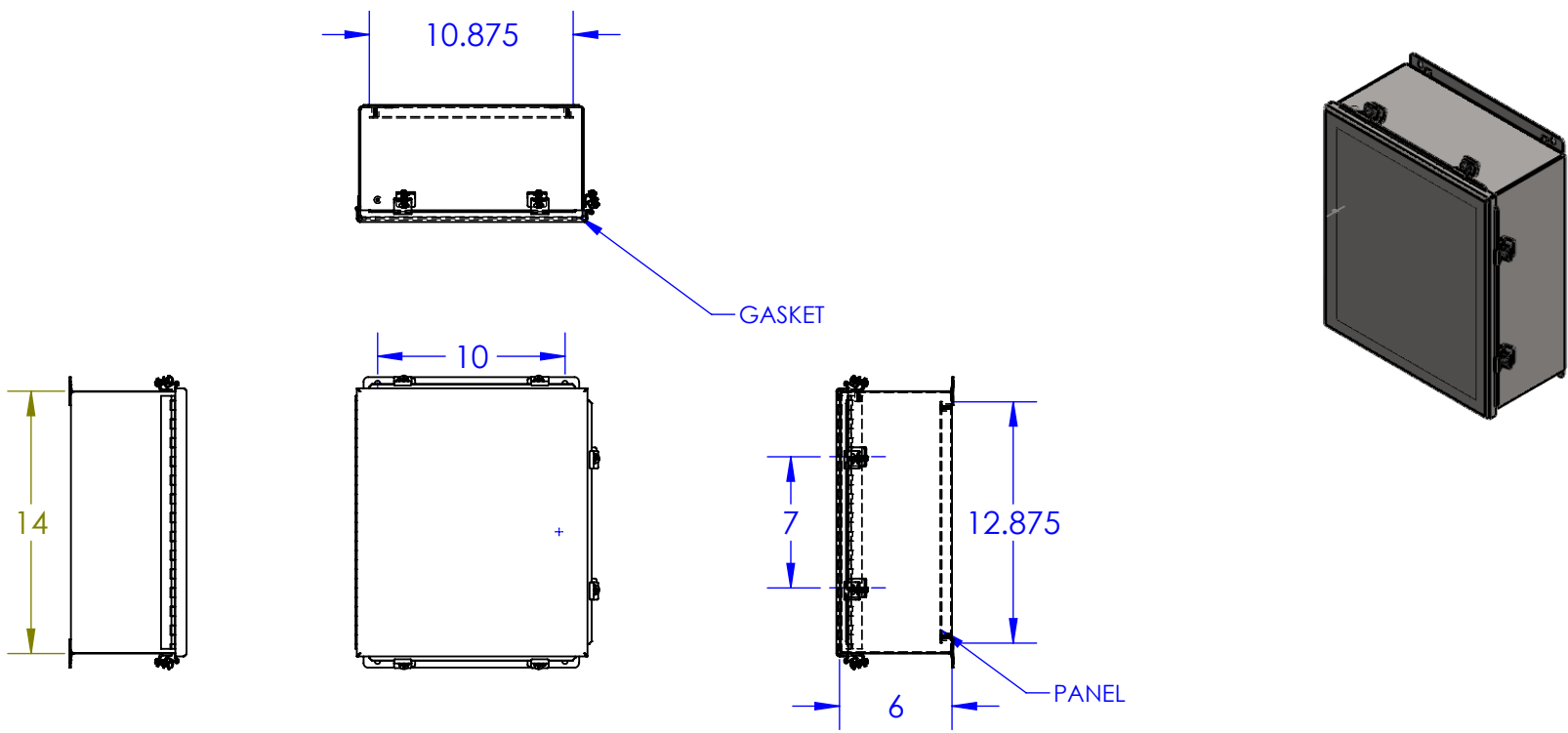
2

1

REVISIONS			
REV.	DESCRIPTION	DATE	APPROVED

B

B



A

A

<p><b>PROPRIETARY AND CONFIDENTIAL</b></p> <p>THE INFORMATION CONTAINED IN THIS DRAWING IS THE SOLE PROPERTY OF RALSTON METAL PRODUCTS. ANY REPRODUCTION IN PART OR AS A WHOLE WITHOUT THE WRITTEN PERMISSION OF RALSTON METAL PRODUCTS IS PROHIBITED.</p> <p><b>UNLESS OTHERWISE SPECIFIED</b></p> <p>DIMENSIONS ARE IN INCHES</p> <p>TOLERANCES:</p> <p>FRACTIONAL <math>\pm 1/32"</math></p> <p>ANGULAR: MACH <math>\pm 1^\circ</math> BEND <math>\pm 1/32"</math></p> <p>ONE PLACE DECIMAL <math>\pm 0.1"</math></p> <p>TWO PLACE DECIMAL <math>\pm 0.01"</math></p> <p>THREE PLACE DECIMAL <math>\pm 0.005"</math></p> <p>MATERIAL:</p> <p>SEE BOM</p> <p>FINISH:</p> <p>SEE BOM</p> <p>DO NOT SCALE DRAWING</p>	<p>NAME</p> <p>DAVID CIKURU</p>	<p>DATE</p> <p>2/8/2019</p>	<p>50 Watson Road Guelph, Ontario N1L 1E2</p> <p>Phone: (519) 836-2968 Toll Free: 1-800-265-7611 Fax: (519) 836-9763 www.ralstonmetal.com</p>
	<p>DRAWN BY</p>	<p>ISSUED BY</p>	
<p>CUSTOMER DRAWING NO:</p>	<p>(AUTHORIZED SIGNATURE IN RED)</p> <p>THIRD ANGLE PROJECTION</p>		<p>CUSTOMER:</p>
<p>SHOP DRAWING NUMBER:</p>	<p>SIZE</p> <p><b>A</b></p>	<p>PART NAME:</p> <p><b>IBWRH-SS-141206</b></p>	<p>REV.</p> <p>-</p>
<p>PART NO.</p> <p>IBWRH-SS 141206-DRAWING</p>	<p>SCALE: 1:10</p>	<p>WEIGHT: 19.689</p>	<p>SHEET 1 OF 1</p>

2

1