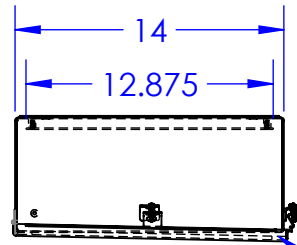


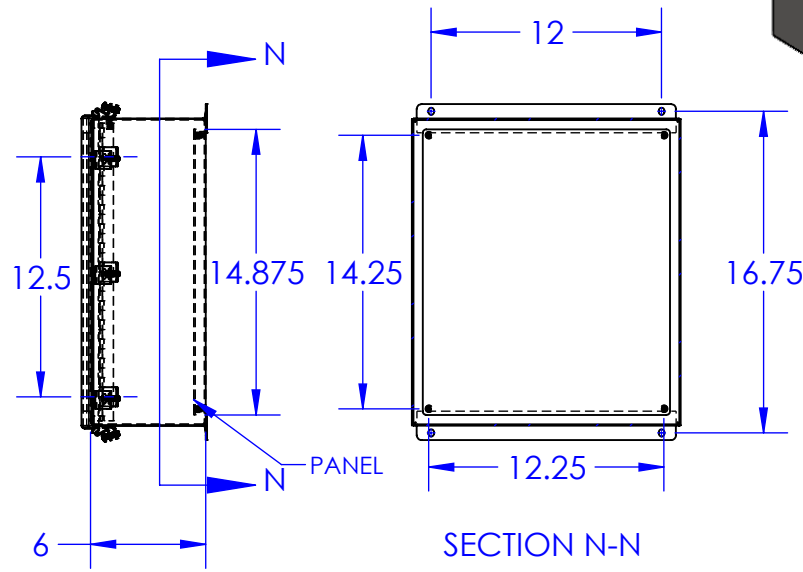
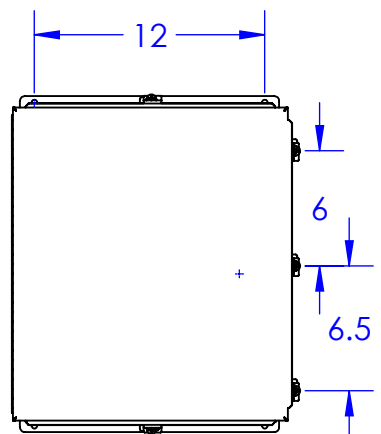
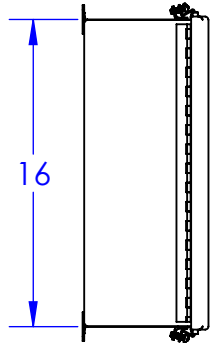
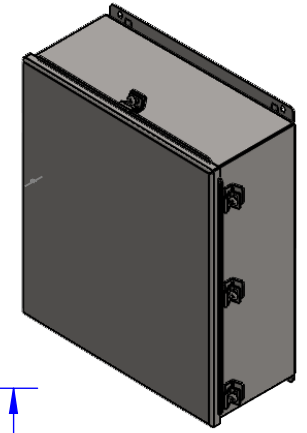
2

1

| REVISIONS |             |      |          |
|-----------|-------------|------|----------|
| REV.      | DESCRIPTION | DATE | APPROVED |



GASKET



SECTION N-N

B

B

A

A

|  |                               |  |  |
|--|-------------------------------|--|--|
| <b>PROPRIETARY AND CONFIDENTIAL</b><br>THE INFORMATION CONTAINED IN THIS DRAWING IS THE SOLE PROPERTY OF RALSTON METAL PRODUCTS. ANY REPRODUCTION IN PART OR AS A WHOLE WITHOUT THE WRITTEN PERMISSION OF RALSTON METAL PRODUCTS IS PROHIBITED.  | NAME                          | DATE   | 50 Watson Road<br>Guelph, Ontario N1L 1E2<br>Phone: (519) 836-2968<br>Toll Free: 1-800-265-7611<br>Fax: (519) 836-9763<br>www.ralstonmetal.com |
|  | DRAWN BY: DAVE BURNS          | 2019-01-31   |  |
| <b>UNLESS OTHERWISE SPECIFIED</b><br>DIMENSIONS ARE IN INCHES<br>TOLERANCES:<br>FRACTIONAL $\pm 1/32$ "<br>ANGULAR: MACH $\pm 1^\circ$ BEND $\pm 1/32$ "<br>ONE PLACE DECIMAL $\pm 0.1$ "<br>TWO PLACE DECIMAL $\pm 0.01$ "<br>THREE PLACE DECIMAL $\pm 0.005$ "<br>MATERIAL:<br>SEE BOM<br>FINISH:<br>SEE BOM<br>DO NOT SCALE DRAWING | JOB ORDER NO:                 | CUSTOMER DRAWING NO:   | CUSTOMER:  |
|  | (AUTHORIZED SIGNATURE IN RED) |  |  |
|  | THIRD ANGLE PROJECTION        | SIZE: A<br>PART NAME: IBWRH-SS-161406<br>PART NO.: IBWRH-SS 161406-DRAWING | REV.: -<br>SCALE: 1:10<br>WEIGHT: 24.541<br>SHEET 1 OF 1   |

2

1