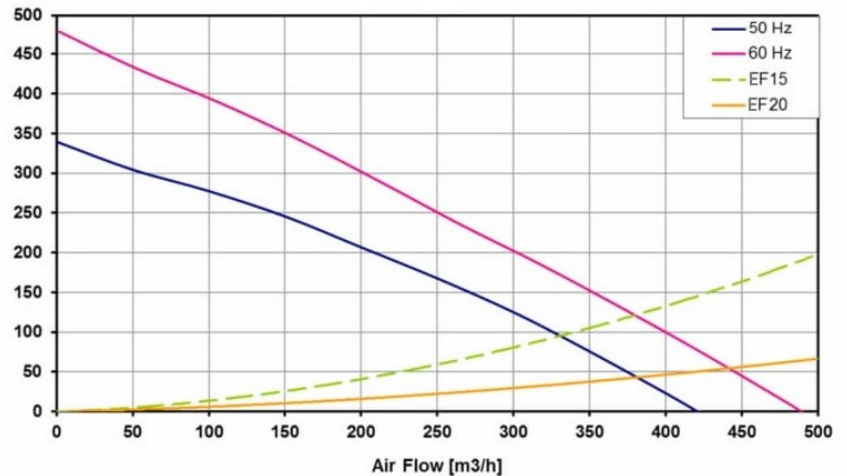
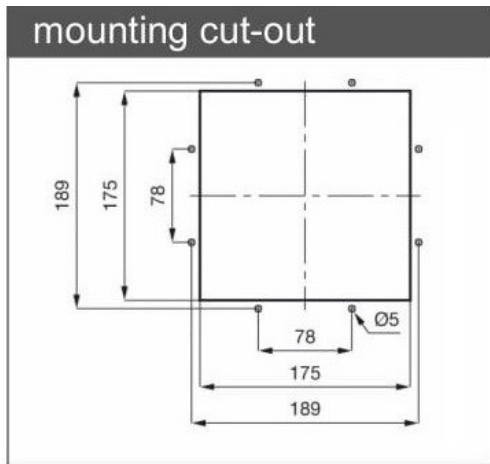
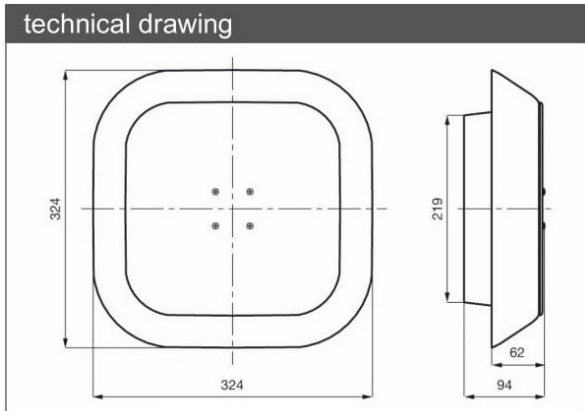




Roof Mount Filter Fan



Material	ABS/PC alloy and aluminum
Colour	RAL-7035 - Other colours upon request
Protection Degree	IP54, according to EN 60529 Standard Type 12 according to UL 508 Standard By No 8 Ø4x16 mm screws for thermoplastic material
Plate Thickness	Any
Storage Temperature	-20°C to +60°C
Motor Lifetime L10 at 25°C	115V 48,000h 60Hz
Working Class of Capacitor	Class B
Motor Protection	Thermal
Electrical Connection	By terminal block 3 poles L-N-PE
Earth Connection	(by terminal block, PE pole)
Appliance Class	Class I
Weight	2.1 Kg
Type of Filter Media	Thermo-linked progressive structure synthetic fibre
Filtering Class	Class G2 more metallic net according to EN 779
Degree of Separation	67% - DIN 24185 (without net)
Dust Retention Capacity	380 g/m ²
Note	Filter media is washable about 10 times
Approvals	CE, UL E237844, CSA



Part No.	Dimensions (in)			Operating Voltage	Frequency	Current	Power	Air Delivery		Static Pressure	Temperature Range	Approvals
	H	W	D					CFM	M3h			
RF-19U-115-R	12.75	12.75	3.7	115V / 60Hz	60 Hz	0.85 A	97W	288	490	480 Pa	-10 +55°C	CE, CSA, UL