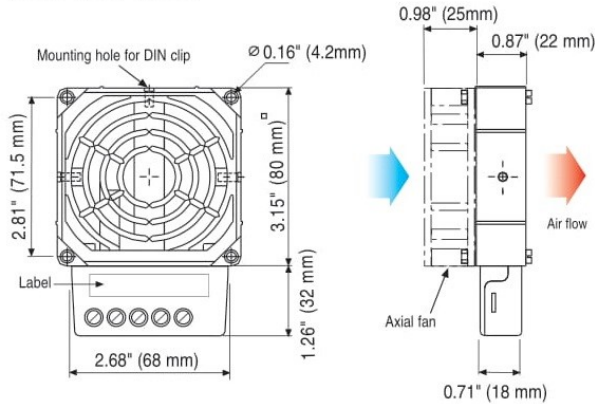


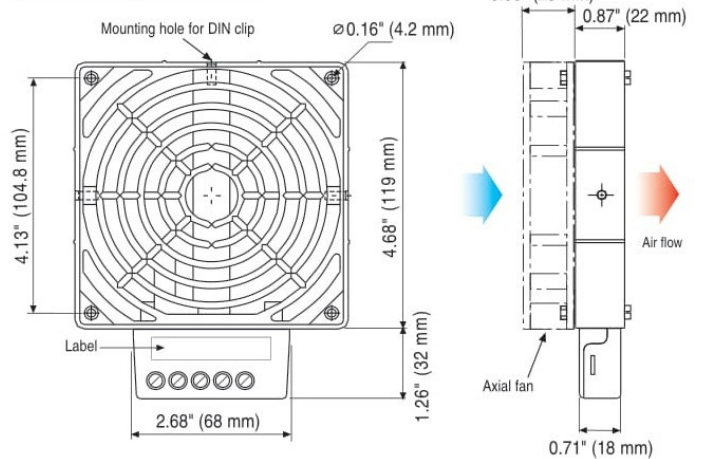


Style 031 Control Panel Heater with Fan

100W/150W Heater

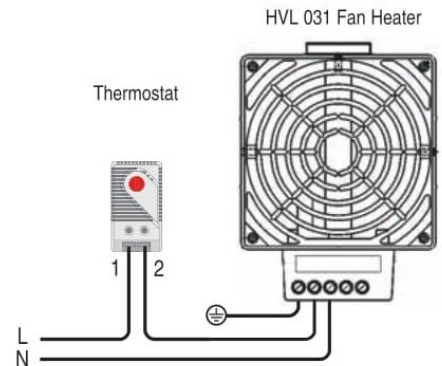


200W/300W/400W Heater



Technical Data

Heating Element	High performance cartridge
Overheat Protection	Built-in temperature
Heater Body	Die-cast aluminum, glass bead finish
Connection	3-pole terminal AWG 14 max. (2.5mm ²), torque 0.8Nm max
Connection Housing	Plastic, UL 94V-0, black
Mounting	Clip for 35mm DIN rail, EN 60 715
Mounting Position	Horizontal
Operating / Storage Temp.	-49 to +158°F (-45 to +70°C)
Protection Class / Type	I (grounded) / IP20
Axial Fan, Ball Bearing	Service life 50,000h at 77°F (25°C)
Air Flow, Free Blowing	See table below
Axial Fan Connection	2-pole terminal AWG 14 max. (2.5mm ²), terminals L2/N2
Approvals	UL File No. E187294 (all), VDE (230VAC only)



Part No.		Heating Capacity	Min. Airflow (Free Blowing)	Dimensions (Mounted)	Wt lbs (g)
120VAC	230VAC				
03102.9-00	03102.0-00	100W	20 cfm (35m ³ /h)	1.85 x 3.15 x 4.41" (47 x 80 x 112mm)	1.3 (600)
03103.9-00	03103.0-00	150W	20 cfm (35m ³ /h)	1.85 x 3.15 x 4.41" (47 x 80 x 112mm)	1.3 (600)
03113.9-00	03113.0-00	200W	63 cfm (108m ³ /h)	1.85 x 4.68 x 5.94" (47 x 119 x 151mm)	2.0 (900)
03114.9-00	03114.0-00	300W	63 cfm (108m ³ /h)	1.85 x 4.68 x 5.94" (47 x 119 x 151mm)	2.0 (900)
03115.9-00	03115.0-00	400W	63 cfm (108m ³ /h)	1.85 x 4.68 x 5.94" (47 x 119 x 151mm)	2.0 (900)