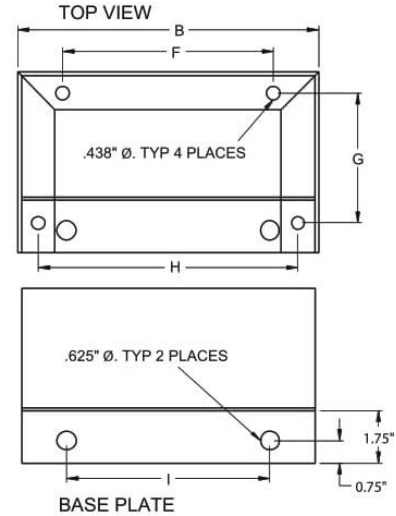
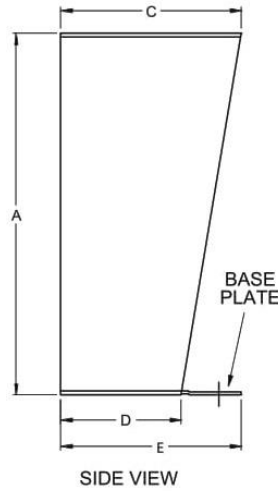




Floor Mounting Kit MF Series



Part No.	Mounting Feet					Hole Centers			
	A	B	C	D	E	F	G	H	I
MF-1208	12	8	5	3	5	5	3.313	6.625	4.688
MF-0610	6	10	6	4	6	7	4.313	8.625	6.688
MF-1210	12	10	6	4	6	7	4.313	8.625	6.688
MF-1810	18	10	6	4	6	7	4.313	8.625	6.688
MF-0612	6	12	8	5	7	8	6.313	10.625	8.688
MF-1212	12	12	8	5	7	8	6.313	10.625	8.688
MF-1512	15	12	8	5	7	8	6.313	10.625	8.688
MF-1812	18	12	8	5	7	8	6.313	10.625	8.688
MF-0616	6	16	8	5	7	12	6.313	14.625	12.688
MF-1216	12	16	8	5	7	12	6.313	14.625	12.688
MF-1816	18	16	8	5	7	12	6.313	14.625	12.688
MF-1518	15	18	8	5	7	14	6.313	16.625	14.688
MF-0620	6	20	8	5	7	16	6.313	18.625	16.688
MF-1220	12	20	8	5	7	16	6.313	18.625	16.688
MF-1224	12	24	8	5	7	20	6.313	22.625	20.688
MF-1524	15	24	8	5	7	20	6.313	22.625	20.688

Part No		Mounting Feet Size					Hole Center			
304 Stainless	316 Stainless	A	B	C	D	E	F	G	H	I
MF-SS-1212	MF-SS-316-1212	12	12	8	5	7	8	6.313	10.63	8.688
MF-SS-0620	MF-SS-316-0620	6	20	8	5	7	16	6.313	18.63	16.69



Hygienic Mounting Kits

HYGIENIC 3-A LEVELING FEET

Part No.	Height Adjustment	Loading Rate
LFHD-04	4" - 5.5"	675 lbs.



HYGIENIC WALL MOUNT BRACKETS

1 Per Pack

Part No.	Description	Depth
AWHD-050	304 Stainless Steel	50mm (2")
AWHD-300	304 Stainless Steel	300mm (12")

Wall Mounting Kits

4 Per Pack

Part No.	Description	For Enclosure
AWS-41	Chrome Plated	VGP, VGW, VSS
EWMB-01	Chrome Plated	EWS, EWD
EWMB-02	304 Stainless Steel	EWSS
EWMB-03	304 Stainless Steel	EST
TBWB-01	316 Stainless Steel	ETB
TWBW-SS	304 Stainless Steel	ETBS
V-SS-WMB	304 Stainless Steel	VGP, VGW, VSS
V-SS-316-WMB	316 Stainless Steel	VGP, VGW, VSS
V-WMB	Zinc Plated	VGP, VGW





Ralston
Metal Products Limited

**You create the need.
We customize the solution.**

Pole Mounting Kits

POLE MOUNTING KIT (IB Series)

Galvanized components with zinc-plated fasteners

For Enclosure	For 2" Pole	For 3" Pole	For 4" Pole	For 12" Pole
6" wide	PMK-26	PMK-36	PMK-46	-
8" wide	PMK-28	PMK-38	PMK-48	PMK-128
10" wide	PMK-210	PMK-310	PMK-410	PMK-1210
12" wide	PMK-212	PMK-312	PMK-412	PMK-1212
14" wide	PMK-214	PMK-314	PMK-414	PMK-1214
16" wide	PMK-216	PMK-316	PMK-416	PMK-1216



For additional product information or specific drawings, contact:
RALSTON METAL PRODUCTS LTD., GUELPH ON
CUSTOMER SERVICE DEPT. 1-800-265-7611